



Bearings

and components

for bicycles

Table of contents

The brand

- Who are we? 4
- Why? 4

Bearings

- Our ranges 6
- B3 bearings 8
- B3S bearings 12
- B5 bearings 13
- B5S bearings 16
- Max bearings 17
- Bearings with extended inner ring and/or shoulder 19
- Ceramic bearings 20
- Headset bearings 21
- Spherical and needle roller bearings 23
- Bearing kit boxes 23

Bottom brackets 24

Bottom bracket bearing kit 32

Headsets 33

Wheel axles 35

Parts for e-bike motors 38

Tools 44

Balls / Ball retainer 50

Fasteners 52

Glossary of technical terms 54

Notes 55



THE brand

Black Bearing is a French brand founded in 2012 in Loperhet, Brittany. We design high-quality bicycle components, drawing on strong industrial expertise and deep knowledge of the cycling world.



Our mission is to offer highly durable bearings, headset, bottom brackets, wheel axles, and more—engineered to withstand the most extreme conditions.

All our products undergo rigorous testing by our in-house teams and partner athletes, enabling us to continuously refine and improve our range.

Today, we proudly export our products to more than 15 countries, with the ambition to expand even further so that cyclists worldwide can benefit from Black Bearing quality.



Why?

It all started in 2012 with a simple observation: bearings were a real headache for professionals in the cycling industry.

Bike shops had to manage numerous bearing references across their bikes, while facing major supply challenges: multiple suppliers, frequent stock shortages, inconsistent quality, and fluctuating prices.

This resulted in a considerable loss of time and, ultimately, money.

It's with this issue in mind that **BlackBearing** was born. We decided to provide a clear and effective solution through a range covering more than 95% of bicycle bearings, across multiple quality levels, with consistent prices, appropriate margins, and optimised logistics – all backed by in-depth knowledge of the market.

Building upon our expertise, we have since expanded our offering to other types of products facing the same challenges: bottom brackets, headset, wheel axles, etc.

INVISIBLE, BUT *essential*

Our components are mostly invisible, and yet they are absolutely essential. When you forget they are even there, it means everything is working perfectly!



***BlackBearing offers components for
a smooth and precise riding experience:***

- Bearings
- Headsets
- Bottom brackets
- Wheel axles
- Parts for e-bike motors
- Tools
- Screws, balls and ball retainers



Bearings

Our products are designed for hubs, wheels, bottom brackets, frame bearings for mountain bikes, headsets, etc.

Our ranges



B3

Chrome steel.
OEM quality.



B3S

Stainless steel. Rust resistant,
suitable for wet conditions.
OEM quality.



B5

Chrome steel. Premium quality.
Our best value for money.



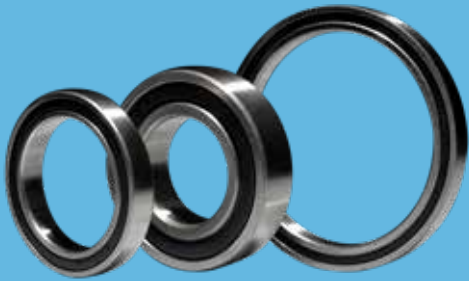
B5S

Stainless steel.
Premium quality.

HOW TO CHOOSE YOUR BEARINGS?

Our bearings are designed to be compatible with all types of bikes: road, mountain, gravel, BMX, triathlon, e-bikes, with the exception of our MAX bearings, which are specifically (add) intended for mountain bike frame pivots.

Our technical and rigorous approach helps us to (add) offer bearings that are truly suited to the demanding requirements they must meet, whether in terms of performance, reliability or durability.



What is the ABEC scale?

The ABEC scale is commonly used in sports such as rollerblading, skateboarding and cycling. It is mainly used to assess the manufacturing precision of bearings, in particular the shape and tolerance of the balls: the higher the number (e.g., ABEC 7 or ABEC 9), the more the ball is considered "perfect" from a geometric point of view.

Why is this scale limited?

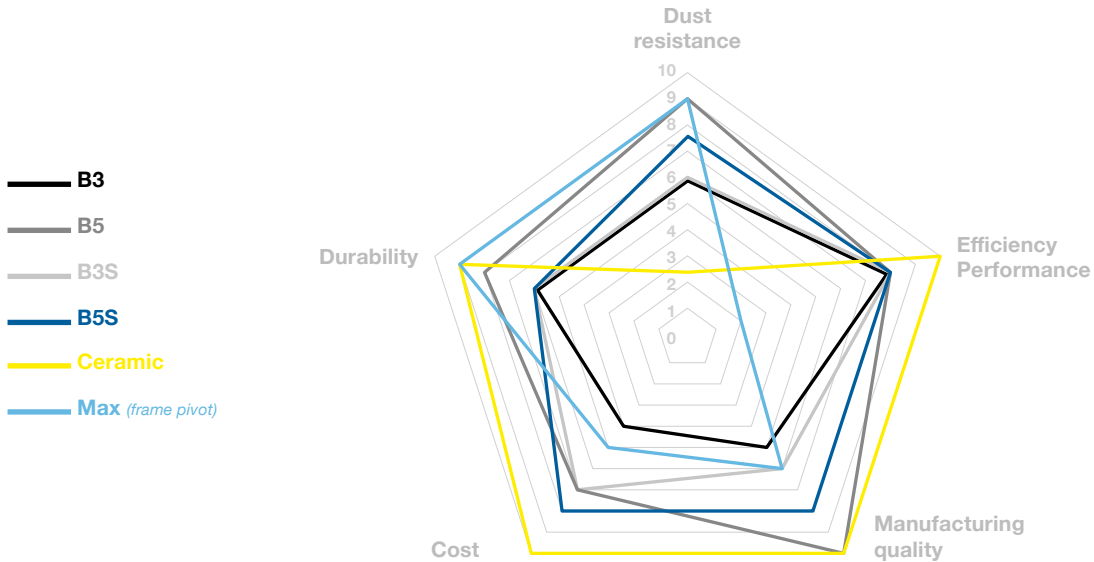
Despite its apparent rigour, the ABEC scale does not take into account the quality of the materials, the type of grease used, or protection against water or dirt. This means that an ABEC 10 bearing may, in practice, be less efficient and less durable than a well-designed ABEC 1 bearing – like ABEC 10 plastic balls for instance.

Our approach at BlackBearing

At BlackBearing, we have chosen not to rely on the ABEC scale, as we believe it does not reflect the reality of cycling constraints. We prefer to analyse each component of our bearings in detail:

- Ring material
- Retainer type
- Ball quality
- Raceway finish
- Grease type
- Seals

Our technical and rigorous approach helps us offer bearings that are truly suited to the demanding requirements they must meet, whether in terms of performance, reliability or durability.



Our recommendations:

- Entry-level bike: **B3**
- Mid/high-end bike (all-purpose): **B5**
- MTB frame pivot **Max**
- Performance/competition: **ceramic**

For optimisation's sake, B5 can be used on the entire bicycle, for all types of riding.

BEARINGS

BLACKBEARING

B3
BEARING



USE: OEM quality bearing. For all types of bikes (road, mountain, gravel, e-bikes, etc.).

Features:

- Chrome steel rings
- Chrome steel balls
- 2RS seals
- Metal retainer

DIMENSIONS (bore dia. x outside dia. x thickness)	REFERENCE CODE	EAN
4 x 10 x 4 mm	UB-104-B3	3760290190924
5 x 10 x 4 mm	UB-105-B3	3760290192591
5 x 11 x 5 mm	UB-685-B3	3760290191181
5 x 13 x 4 mm	UB-695-B3	3760290191297
5 x 14 x 5 mm	UB-605-B3	3760290190955
6 x 13 x 5 mm	UB-686-B3	3760290191204
6 x 15 x 5 mm	UB-696-B3	3760290191310
6 x 16 x 5 mm	UB-616-B3	3760290192614
6 x 17 x 6 mm	UB-606-B3	3760290190979
6 x 19 x 6 mm	UB-626-B3	3760290191105
6,35 x 15,875 x 4,98 mm	UB-R4-B3	3760290192812
7 x 13 x 4 mm	UB-137-B3	3760290192607
7 x 19 x 6 mm	UB-607-B3	3760290190993
7 x 22 x 7 mm	UB-627-B3	3760290191129
8 x 16 x 5 mm	UB-688-B3	3760290191242
8 x 19 x 6 mm	UB-698-B3	3760290191334
8 x 22 x 7 mm	UB-608-B3	3760290191013
8 x 24 x 8 mm	UB-628-B3	3760290191143
9 x 17 x 4 mm	UB-689/4-B3	3760290196391
9 x 17 x 5 mm	UB-689-B3	3760290191273
9 x 20 x 6 mm	UB-699-B3	3760290191358
9 x 22 x 7 mm	UB-608/9-B3	3760290191068
9 x 24 x 7 mm	UB-609-B3	3760290191075
9 x 26 x 8 mm	UB-629-B3	3760290191167
9,525 x 22,225 x 7,14 mm	UB-R6-B3	3760290192836
10 x 15 x 4 mm	UB-6700-B3	3760290192577
10 x 16 x 8 mm	UB-DR6700-B3	3760290196339
10 x 19 x 5 mm	UB-6800-B3	3760290191754

DIMENSIONS (bore dia. x outside dia. x thickness)	REFERENCE CODE	EAN
10 x 19 x 7 mm	UB-63800-B3	3760290192423
10 x 19 x 7 mm	UB-3800-B3	3760290191402
10 x 19 x 8 mm	UB-3800H8-B3	3760365233440
10 x 22 x 6 mm	UB-6900-B3	3760290192126
10 x 24 x 7 mm	UB-10247-B3	3760365231606
10 x 26 x 8 mm	UB-6000-B3	3760290191464
10 x 28 x 8 mm	UB-16100-B3	3760290192553
10 x 30 x 9 mm	UB-6200-B3	3760290191600
12 x 18 x 4 mm	UB-6701-B3	3760290191679
12 x 18 x 5 mm	UB-12185-B3	3760365233303
12 x 21 x 5 mm	UB-6801-B3	3760290191792
12 x 21 x 7 mm	UB-63801-B3	3760290192454
12 x 21 x 8 mm	UB-3801-B3	3760290196438
12 x 24 x 6 mm	UB-6901-B3	3760290192164
12 x 26 x 8 mm	UB-12268-B3	3760290192621
12 x 28 x 7 mm	UB-16001-B3	3760290192522
12 x 28 x 8 mm	UB-6001-B3	3760290191501
12 x 32 x 10 mm	UB-6201-B3	3760290191624
12,7 x 28,57 x 7,94 mm	UB-R8-B3	3760290190887
12.70 x 19.05 x 3.97 mm	UB-R1212-B3	3760290192898
14 x 24 x 5 mm	UB-14245-B3	3760290196766
15 x 21 x 4 mm	UB-6702-B3	3760290191693
15 x 24 x 10 mm	UB-3802H10-B3	3760365233419
15 x 24 x 5 mm	UB-6802-B3	3760290191839
15 x 24 x 8.5 mm	UB-15248-B3	3760365233396
15 x 26 x 10 mm	UB-152610-B3	3760290196759
15 x 26 x 7 mm	UB-15267-B3	3760290192638
15 x 26 x 8 mm	UB-15268-B3	3760290192645
15 x 28 x 7 mm	UB-6902-B3	3760290192201
15 x 30 x 7 mm	UB-15307-B3	3760365230678
15 x 32 x 13 mm	UB-3002-B3	3760290191396
15 x 32 x 8 mm	UB-16002-B3	3760290192539
15 x 32 x 9 mm	UB-6002-B3	3760290191549
15 x 35 x 11 mm	UB-6202-B3	3760290191648
16 x 26 x 7 mm	UB-16267-B3	3760365231637
16 x 27 x 7 mm	UB-16277-B3	3760290196742
16 x 28 x 7 mm	UB-16287-B3	3760290196735

DIMENSIONS (bore dia. x outside dia. x thickness)	REFERENCE CODE	EAN
16 x 30 x 10 mm	UB-163010-B3	3760365231590
16 x 31 x 10 mm	UB-163110-B3	3760290196728
16 x 31 x 8 mm	UB-16318-B3	3760365231859
16 x 35 x 11 mm	UB-163511-B3	3760290196711
17 x 23 x 4 mm	UB-6703-B3	3760290196803
17 x 26 x 5 mm	UB-6803-B3	3760290191877
17 x 26 x 7 mm	UB-63803-B3	3760290192485
17 x 28 x 7 mm	UB-17287-B3	3760290192669
17 x 30 x 10 mm	UB-3903-B3	3760290191457
17 x 30 x 10 mm	UB-173010-B3	3760290196698
17 x 30 x 7 mm	UB-6903-B3	3760290192249
17 x 31 x 10 mm	UB-173110-B3	3760290192676
17 x 35 x 10 mm	UB-6003-B3	3760290191563
18 x 28 x 7 mm	UB-18287-B3	3760290196681
18 x 30 x 7 mm	UB-18307-B3	3760290192683
19 x 28 x 5 mm	UB-19285-B3	3760290196674
19 x 30 x 7 mm	UB-19307-B3	3760365233938
19 x 32 x 7 mm	UB-19327-B3	3760290196667
19,05 x 41,275 x 11,1 mm	UB-R12-B3	3760290192874
19.05 x 37 x 9 mm	UB-190537-B3	3760290192706
20 x 25 x 4 mm	UB-20254ZZ-B3	3760365233648
20 x 27 x 4 mm	UB-6704-B3	3760290191716
20 x 30 x 13 mm	UB-203013-B3	3760290196650
20 x 32 x 7 mm	UB-6804-B3	3760290191914
20 x 37 x 9 mm	UB-6904-B3	3760290192294
20 x 42 x 12 mm	UB-6004-B3	3760290191587
21,2 x 38,5 x 9,5 mm	UB-21238595-B3	3760365231569
21,3 x 42 x 12 mm	UB-2134212-B3	3760365231842
21,5 x 31 x 7 mm	UB-215317-B3	3760365231576
21,5 x 37 x 9 mm	UB-215379-B3	3760290197817
21,5 x 42 x 12 mm	UB-2154212-B3	3760290197800
22 x 37 x 9 mm	UB-22379-B3	3760365231835
22 x 41.28 x 11.11 mm	UB-R12/22-B3	3760290196629
22 x 42 x 12 mm	UB-224212-B3	3760365231583
23 x 32 x 7 mm	UB-23327-B3	3760290192751
24 x 37 x 7 mm	UB-2437-B3	3760290192775
24 x 37 x 8 mm	UB-24378-B3	3760290192782

DIMENSIONS (bore dia. x outside dia. x thickness)	REFERENCE CODE	EAN
24 x 37,1 x 7 mm	UB-24371-B3	3760365232214
24 x 42 x 7 mm	UB-24427-B3	3760365232221
24,07 x 37 x 7 mm	UB-240737-B3	3760290192768
25 x 32 x 4 mm	UB-6705-B3	3760290196797
25 x 36 x 7 mm	UB-25367-B3	3760365233372
25 x 37 x 6 mm	UB-6805W6-B3	3760290191990
25 x 37 x 7 mm	UB-6805-B3	3760290191952
25 x 37 x 7 mm	UB-7805-B3	3760290196346
25 x 42 x 9 mm	UB-6905-B3	3760290192324
25 x 47 x 12 mm	UB-6005-B3	3760290196933
25,1 x 37 x 7 mm	UB-251377-B3	3760365231552
27,5 x 37 x 6,5 mm	UB-2753765-B3	3760365231811
27,5 x 37 x 7 mm	UB-275377-B3	3760290192805
29 x 40 x 6,8 mm	UB-294068-B3	3760365231545
30 x 37 x 4 mm	UB-6706-B3	3760290196780
30 x 40 x 6 mm	UB-30406-B3	3760365231088
30 x 40 x 7 mm	UB-30407-B3	3760290197787
30 x 41 x 7 mm	UB-30417-B3	3760365233389
30 x 42 x 10 mm	UB-3806-B3	3760290191440
30 x 42 x 6 mm	UB-6806H6-B3	3760365231538
30 x 42 x 7 mm	UB-6806-B3	3760290192003
30 x 42 x 7 mm	UB-7806-B3	3760290195561
30 x 47 x 9 mm	UB-6906-B3	3760290192348
31 x 43 x 7 mm	UB-31437-B3	3760290196353
31 x 43,5 x 7 mm	UB-314357-B3	3760290197770
35 x 44 x 5 mm	UB-6707-B3	3760290191730
35 x 47 x 7 mm	UB-6807-B3	3760290192041
40 x 50 x 6 mm	UB-6708-B3	3760290196773
40 x 52 x 7 mm	UB-6808-B3	3760290192065
45 x 58 x 7 mm	UB-6809-B3	3760290192089
50 x 62 x 6 mm	UB-6710-B3	3760290196360
50 x 65 x 7 mm	UB-6810-B3	3760290192102

BEARINGS

BLACKBEARING

B3S

BEARING



USE: OEM quality bearing. For all types of bikes (road, mountain, gravel, e-bikes, etc.).

Features:

- Stainless steel rings
- Stainless steel balls
- 2RS seals
- Metal retainer

DIMENSIONS (bore dia. x outside dia. x thickness)	REFERENCE CODE	EAN
8 x 16 x 5 mm	UB-688-B3S	3760290191266
8 x 22 x 7 mm	UB-608-B3S	3760290191037
10 x 19 x 5 mm	UB-6800-B3S	3760290191778
10 x 19 x 7 mm	UB-63800-B3S	3760290192447
10 x 22 x 6 mm	UB-6900-B3S	3760290192140
10 x 26 x 8 mm	UB-6000-B3S	3760290191488
12 x 21 x 5 mm	UB-6801-B3S	3760290191815
12 x 24 x 6 mm	UB-6901-B3S	3760290192188
12 x 28 x 8 mm	UB-6001-B3S	3760290191525
15 x 24 x 5 mm	UB-6802-B3S	3760290191853
15 x 28 x 7 mm	UB-6902-B3S	3760290192225
15 x 32 x 8 mm	UB-16002-B3S	3760290192546
15 x 32 x 9 mm	UB-6002-B3S	3760365230685
17 x 26 x 5 mm	UB-6803-B3S	3760290191891
17 x 28 x 7 mm	UB-17287-B3S	3760290196513
17 x 30 x 7 mm	UB-6903-B3S	3760290192263
20 x 32 x 7 mm	UB-6804-B3S	3760290191938
20 x 37 x 9 mm	UB-6904-B3S	3760290192317
24 x 37 x 7 mm	UB-2437-B3S	3760290196506
25 x 37 x 6 mm	UB-6805W6-B3S	3760365231071
25 x 37 x 7 mm	UB-6805-B3S	3760290191976
30 x 42 x 7 mm	UB-6806-B3S	3760290191228

BEARINGS

BLACKBEARING

B5 BEARING



USE: premium quality bearing. For all types of bikes (road, mountain, gravel, e-bikes, etc.).

Strong performance and effective protection against dirt. Our best seller!

Features:

- High-end chrome steel rings
- High-end chrome steel balls
- Reinforced 2RS seals
- Metal retainer
- Polished raceways for improved smoothness
- High-quality grease
- Higher grease fill rate

DIMENSIONS (bore dia. x outside dia. x thickness)	REFERENCE CODE	EAN
3.18 x 9.53 x 3.97 mm	UB-R2-B5	3760290190832
5 x 11 x 5 mm	UB-685-B5	3760290191198
5 x 13 x 4 mm	UB-695-B5	3760290191303
5 x 14x 5 mm	UB-605-B5	3760290190962
6 x 13 x 5 mm	UB-686-B5	3760290191211
6 x 15 x 5 mm	UB-696-B5	3760290191327
6 x 17 x 6 mm	UB-606-B5	3760290190986
6 x 19 x 6 mm	UB-626-B5	3760290191112
6.35 x 15.875 x 4.98 mm	UB-R4-B5	3760290190856
7 x 14 x 5 mm	UB-687-B5	3760365230463
7 x 19 x 6 mm	UB-607-B5	3760290191006
7 x 22 x 7 mm	UB-627-B5	3760290191136
8 x 16 x 5 mm	UB-688-B5	3760290191259
8 x 19 x 6 mm	UB-698-B5	3760290191341
8 x 22 x 7 mm	UB-608-B5	3760290191020
8 x 24 x 8 mm	UB-628-B5	3760290191150
9 x 17 x 5 mm	UB-689-B5	3760290191280
9 x 20 x 6 mm	UB-699-B5	3760290191365
9 x 24 x 7 mm	UB-609-B5	3760290191082
9 x 26 x 8 mm	UB-629-B5	3760290191174
9.525 x 22.225 x 7.14 mm	UB-R6-B5	3760290190870
10 x 19 x 5 mm	UB-6800-B5	3760290191761
10 x 19 x 7 mm	UB-63800-B5	3760290192430
10 x 22 x 6 mm	UB-6900-B5	3760290192133
10 x 26 x 8 mm	UB-6000-B5	3760290191471

DIMENSIONS (bore dia. x outside dia. x thickness)	REFERENCE CODE	EAN
10 x 28 x 8 mm	UB-16100-B5	3760290196483
10 x 30 x 9 mm	UB-6200-B5	3760290191617
12 x 18 x 4 mm	UB-6701-B5	3760290191686
12 x 21 x 5 mm	UB-6801-B5	3760290191808
12 x 21 x 7 mm	UB-63801-B5	3760290192461
12 x 24 x 6 mm	UB-6901-B5	3760290192171
12 x 28 x 7 mm	UB-16001-B5	3760290196490
12 x 28 x 8 mm	UB-6001-B5	3760290191518
12 x 32 x 10 mm	UB-6201-B5	3760290191631
12.7 x 28.57 x 7.94 mm	UB-R8-B5	3760290190894
15 x 21 x 4 mm	UB-6702-B5	3760290191709
15 x 24 x 5 mm	UB-6802-B5	3760290191846
15 x 24 x 7 mm	UB-63802-B5	3760290192478
15 x 26 x 7 mm	UB-15267-B5	3760290199828
15 x 28 x 7 mm	UB-6902-B5	3760290192218
15 x 32 x 9 mm	UB-6002-B5	3760290191556
15 x 35 x 11 mm	UB-6202-B5	3760290191655
17 x 23 x 4 mm	UB-6703-B5	3760290199187
17 x 26 x 5 mm	UB-6803-B5	3760290191884
17 x 26 x 7 mm	UB-63803-B5	3760290192492
17 x 28 x 7 mm	UB-17287-B5	3760290199835
17 x 30 x 7 mm	UB-6903-B5	3760290192256
17 x 35 x 10 mm	UB-6003-B5	3760290191570
17 x 40 x 12 mm	UB-6203-B5	3760290196476
18 x 30 x 7 mm	UB-18307-B5	3760290199811
19.05 x 41.275 x 11.1 mm	UB-R12-B5	3760290190917
20 x 27 x 4 mm	UB-6704-B5	3760290191723
20 x 32 x 7 mm	UB-6804-B5	3760290191921
20 x 37 x 9 mm	UB-6904-B5	3760290192300
20 x 42 x 12 mm	UB-6004-B5	3760290191594
20 x 47 x 14 mm	UB-6204-B5	3760290196940
24 x 37 x 7 mm	UB-2437-B5	3760290199842
25 x 37 x 10 mm	UB-63805-B5	3760290192508
25 x 37 x 7 mm	UB-6805-B5	3760290191969
25 x 42 x 9 mm	UB-6905-B5	3760290192331
30 x 42 x 7 mm	UB-6806-B5	3760290192010
30 x 47 x 9 mm	UB-6906-B5	3760290192355

DIMENSIONS (bore dia. x outside dia. x thickness)	REFERENCE CODE	EAN
35 x 44 x 5 mm	UB-6707-B5	3760290191747
35 x 47 x 7 mm	UB-6807-B5	3760290192058
40 x 52 x 7 mm	UB-6808-B5	3760290192072
45 x 58 x 7 mm	UB-6809-B5	3760290192096
50 x 65 x 7 mm	UB-6810-B5	3760290192119



BEARINGS

BLACKBEARING
B5S
BEARING



USE: premium quality bearing. For all types of bikes (road, mountain, gravel, e-bikes, etc.). Increased protection against corrosion.

Features:

- Stainless steel rings
- Stainless steel balls
- Reinforced 2RS seals
- Metal retainer
- Polished bearing raceways for improved smoothness
- High-quality grease

DIMENSIONS (bore dia. x outside dia. x thickness)	REFERENCE CODE	EAN
6 x 13 x 5 mm	UB-686-B5S	3760290191235
8 x 16 x 5 mm	UB-688-B5S	3760365230968
8 x 22 x 7 mm	UB-608-B5S	3760290191044
9 x 17 x 5 mm	UB-689-B5S	3760290196469
9 x 20 x 6 mm	UB-699-B5S	3760290196452
10 x 19 x 5 mm	UB-6800-B5S	3760290191785
10 x 22 x 6 mm	UB-6900-B5S	3760290192157
10 x 26 x 8 mm	UB-6000-B5S	3760290191495
12 x 21 x 5 mm	UB-6801-B5S	3760290191822
12 x 24 x 6 mm	UB-6901-B5S	3760290192195
12 x 28 x 8 mm	UB-6001-B5S	3760290191532
15 x 24 x 5 mm	UB-6802-B5S	3760290191860
15 x 28 x 7 mm	UB-6902-B5S	3760290192232
17 x 26 x 5 mm	UB-6803-B5S	3760290191907
17 x 30 x 7 mm	UB-6903-B5S	3760290192270
20 x 27 x 4 mm	UB-6704-B5S	3760290199798
20 x 32 x 7 mm	UB-6804-B5S	3760290191945
25 x 37 x 7 mm	UB-6805-B5S	3760290191983
29 x 42 x 7 mm	UB-6806/29-B5S	3760290197756
30 x 42 x 7 mm	UB-6806-B5S	3760290192034

BEARINGS

BLACKBEARING

MAX

BEARING



USE: MTB frame pivot (exclusively). More balls and no retainer (improved mechanical resistance)

Features:

- Chrome steel rings
- No balls for improved mechanical strength
- No retainer
- Reinforced seals for improved water resistance
- Marine grease
- Higher grease fill rate

DIMENSIONS (bore dia. x outside dia. x thickness)	REFERENCE CODE	EAN
6 x 13 x 5 mm	UB-686-MAX	3760365231521
6 x 19 x 6 mm	UB-626-MAX	3760365231514
8 x 16 x 5 mm	UB-688-MAX	3760290195585
8 x 19 x 6 mm	UB-698-MAX	3760290193208
8 x 22 x 7 mm	UB-608-MAX	3760290193161
8 x 24 x 8 mm	UB-628-MAX	3760365231507
10 x 19 x 5 mm	UB-6800-MAX	3760290192928
10 x 19 x 7 mm	UB-3800-MAX	3760290193109
10 x 19 x 7 mm	UB-63800-MAX	3760290193086
10 x 19 x 8 mm	UB-3800H8-MAX	3760365231040
10 x 22 x 6 mm	UB-6900-MAX	3760290193000
10 x 22 x 6 mm	UB-7900-MAX	3760290193130
10 x 26 x 8 mm	UB-6000-MAX	3760290192904
11 x 19 x 7 mm	UB-11197-MAX	3760365231033
12 x 21 x 5 mm	UB-6801-MAX	3760290192935
12 x 21 x 7 mm	UB-3801H7-MAX	3760365231057
12 x 21 x 4 mm	UB-12214-MAX	3760365231477
12 x 24 x 6 mm	UB-6901-MAX	3760290193017
12 x 24 x 6 mm	UB-7901-MAX	3760290193147
12 x 24 x 10 mm	UB-3901-MAX	3760365233945
12 x 28 x 12 mm	UB-3001-MAX	3760290196605
12 x 28 x 8 mm	UB-6001-MAX	3760290192911
15 x 24 x 5 mm	UB-6802-MAX	3760290192942
15 x 24 x 7 mm	UB-3802-MAX	3760290193116
15 x 24 x 7 mm	UB-63802-MAX	3760290193093
15 x 25 x 7 mm	UB-15257-MAX	3760365231019
15 x 26 x 7 mm	UB-15267-MAX	3760365231002

DIMENSIONS (bore dia. x outside dia. x thickness)	REFERENCE CODE	EAN
15 x 28 x 7 mm	UB-6902-MAX	3760290193024
15 x 28 x 7 mm	UB-7902-MAX	3760290193154
15 x 28 x 10 mm	UB-3902-MAX	3760365233952
15 x 32 x 9 mm	UB-6002-MAX	3760290196582
16 x 25 x 7 mm	UB-16257-MAX	3760365231095
17 x 26 x 10 mm	UB-3803-MAX	3760290193123
17 x 26 x 5 mm	UB-6803-MAX	3760290192959
17 x 26 x 7 mm	UB-63803-MAX	3760290196575
17 x 28 x 6 mm	UB-17286-MAX	3760290193055
17 x 28 x 7 mm	UB-17287-MAX	3760365231415
17 x 28 x 9 mm	UB-17289-MAX	3760365232207
17 x 30 x 10 mm	UB-3903-MAX	3760365231392
17 x 30 x 7 mm	UB-6903-MAX	3760290193031
19,05 x 30.16 x 7.14 mm	UB-B539-MAX	3760290193048
19,05 x 31 x 7 mm	UB-1905317-MAX	3760290193079
20 x 30 x 7 mm	UB-20307-MAX	3760290199682
20 x 32 x 10 mm	UB-63804-MAX	3760365231408
20 x 32 x 10 mm	UB-3804-MAX	3760290196599
20 x 32 x 7 mm	UB-6804-MAX	3760290192966
20 x 37 x 9 mm	UB-6904-MAX	3760290196568
21,5 x 31 x 14 mm	UB-2153114-MAX	3760290196612
21,5 x 31 x 7 mm	UB-215317-MAX	3760290192713
22 x 31 x 7 mm	UB-22317-MAX	3760365232634
25 x 37 x 7 mm	UB-6805-MAX	3760290192973
27,5 x 37 x 6,5 mm	UB-2753765-MAX	3760365231828
33.34 x 44.45 x 7.14 mm	UB-B542-MAX	3760290196551
40 x 52 x 7 mm	UB-6808-MAX	3760290192980
45 x 58 x 7 mm	UB-6809-MAX	3760290192997

BEARINGS

BLACKBEARING BEARINGS

with **extended inner ring**
and/or **shoulder**



E / EB inner ring extended on one side of the bearing



F flange on the outer ring



FE inner ring extended on one side of the bearing + flange on the outer ring



FEE inner ring extended on both sides of the bearing + flange on the outer ring

DIMENSIONS (bore dia. x outside dia. x thickness)	GAMME	REFERENCE CODE	EAN
8 x 16 x 5/7 mm	Max	EE-688-MAX	3760365231491
8 x 16 x 5 / 6.5 mm	Max	EB-688-MAX	3760290193185
8 x 19 x 10 / 11 mm	Max	UB-398E-MAX	3760290193673
8 x 19 x 6 / 7.5 mm	Max	UB-698E-MAX	3760290193192
10 x 19/21 x 5 mm	B3	FB-6800-B3	3760290199781
10 x 22 x 6/9 mm	Max	EB-6900-MAX	3760365231484
10 x 19 x 5 / 6.5 mm	Max	EB-6800-MAX	3760365233402
12 x 21 / 23 x 5 mm	Max	FB-6801-MAX	3760365231866
12 x 21 x 5/6.5 mm	Max	EB-6801-MAX	3760365231460
12 x 21/23 x 5/6 mm	Max	FE-6801-MAX	3760365231873
12 x 24/26 x 5/7 mm	Max	FE-6901-MAX	3760365231453
12 x 28 x 8/9 mm	Max	EB-6001-MAX	3760365231064
12.7 x 24 x 7 / 8.44 mm	Max	UB-37802-MAX	3760365231026
15 x 24/26 x 5/7 mm	Max	FEE-6802-MAX	3760365231446
15 x 24/26 x 5/7 mm	B3	FB-6802-B3	3760290193680
15 x 28 / 30.5 x 7 / 9.5 mm	Max	FE-6902A-MAX	3760365233273
15 x 28 x 7 / 10 mm	Max	EB-6902-MAX	3760290193734
15 x 28/30.5 x 7/9.5 mm	Max	FE-6902-MAX	3760365231439
17 x 26 x 5/8 mm	Max	EB-6803H8-MAX	3760365231422
17 x 30 x 7 / 10 mm	Max	EB-6903-MAX	3760290193710
22.2 x 37 x 8 / 11.5 mm	Cera	EB-22237-C	3760290196537
22.2 x 37 x 8 / 11.5 mm	B3	EB-22237-B3	3760290193727
30 x 41/44 x 10 mm	B3	FB-6806-B3	3760290195578

BEARINGS

BLACKBEARING

Ceramic

BEARINGS



USE: wheels, bottom brackets, pulley wheels, pedals.
Performance/competition

Features:

- Chrome steel ring
- Polyamide retainer
- Low-friction seals
- Ceramic balls (Si3N4 – silicon nitride)

DIMENSIONS (bore dia. x outside dia. x thickness)	REFERENCE CODE	EAN
6 x 13 x 5 mm	UB-686-CS	3760365231378
8 x 22 x 7 mm	UB-608-CS	3760290193369
9 x 20 x 6 mm	UB-699-CS	3760290193376
9 x 24 x 7 mm	UB-609-CS	3760290196520
10 x 19 x 5 mm	UB-6800-CS	3760290193437
10 x 22 x 6 mm	UB-6900-CS	3760290193529
10 x 26 x 8 mm	UB-6000-CS	3760290193413
12 x 21 x 5 mm	UB-6801-CS	3760290193444
12 x 24 x 6 mm	UB-6901-CS	3760290193536
12 x 28 x 8 mm	UB-6001-CS	3760290193420
15 x 24 x 5 mm	UB-6802-CS	3760290193451
15 x 26 x 7 mm	UB-15267-C	3760290193383
15 x 28 x 7 mm	UB-6902-CS	3760290193543
17 x 26 x 5 mm	UB-6803-CS	3760290193468
17 x 28 x 7 mm	UB-17287-C	3760290193390
17 x 30 x 7 mm	UB-6903-CS	3760290193550
18 x 30 x 7 mm	UB-18307-CS	3760290198357
20 x 32 x 7 mm	UB-6804-CS	3760290193475
20 x 37 x 9 mm	UB-6904-CS	3760290193567
22.2 x 37 x 8 / 11.5 mm	EB-22237-C	3760290196537
24 x 37 x 7 mm	UB-2437-C	3760290193406
24 x 37 x 8 mm	UB-24378-C	3760290196544
25 x 37 x 6 mm	UB-6805W6-CS	3760290193499
25 x 37 x 7 mm	UB-6805-CS	3760290193482
30 x 40 x 7 mm	UB-30407-CS	3760290197763
30 x 42 x 7 mm	UB-6806-CS	3760290193505
31 x 43 x 7 mm	UB-31437-C	3760290193512

BEARINGS

BLACKBEARING

Headset

BEARINGS



USE: For all types of bikes (road, mountain, gravel, e-bikes, etc.).

Features:

- Chrome steel rings
- Chrome steel balls
- RS seals
- High-quality grease- Graisse de qualité supérieure

DIMENSIONS (bore dia. x outside dia. x thickness)	REFERENCE CODE	EAN
27.15 x 38 x 6.3 mm 45/45°	HB-A2	3760365233891
27.15 x 38 x 6.5 mm 36/45	HB-A1	3760290190450
30.05 x 42 x 7 mm 36°/45	HB-B15	3760290196896
30.1 x 41.8 x 8 mm 36°/45	HB-B14	3760290196902
30.15 x 39 x 6.5 mm 45/45°	HB-B4	3760290190504
30.15 x 41 x 6.2 mm 45/45°	HB-B21	3760365233907
30.15 x 41 x 6.5 mm 36/45°	HB-B3	3760290190481
30.15 x 41 x 6.5 mm 45/45°	HB-B2	3760290190474
30.15 x 41 x 7 mm 45/45°	HB-B1	3760290190467
30.15 x 41 x 7.7 mm 36°/45	HB-B11	3760290190573
30.15 x 41.5 x 6.5 mm 36/36	HB-B12	3760290196926
30.15 x 41.8 x 6 mm 45/45°	HB-B19	3760365233433
30.15 x 41.8 x 6.3 45/45°	HB-B22	3760365233914
30.15 x 41.8 x 6.5 mm 45/45	HB-B5	3760290190511
30.15 x 41.8 x 7 mm 36°/36	HB-B13	3760290196919
30.15 x 41.8 x 7 mm 45/45°	HB-B6	3760290190528
30.15x41x6.5/7.1 mm 45/90	HB-B10	3760290190566
30.5 x 41.8 x 7.7 mm 45/45°	HB-B8	3760290190559
30.5 x 41.8 x 7mm 45/45°	HB-B16	3760365230999
30.5 x 41.8 x 8 mm 45/45°	HB-B7	3760290190535
30.5 x 41.8 x 8 mm 45/45°	HB-B70	3760290197794
32.4 x 43.8 x 7 mm 45/45°	HB-C6	3760290190641
32.8 x 41.8 x 6 mm 45/45°	HB-C5	3760290190634
33 x 44 x 6 mm 36/45°	HB-C11	3760290196889
33.05 x 43.8 x 7 mm 36/45°	HB-C13	3760290196865
34.1 x 46 x 7 mm 45/45°	HB-C9	3760290190672
34.1 x 46.8 x 7 mm 45/45°	HB-C1	3760290190580
35 x 44 x 5.5 mm 36/45°	HB-C12	3760290196872
35 x 45.3 x 7.3 mm 45/45°	HB-C16	3760290198265

BLACKBEARING HEADSET BEARINGS

DIMENSIONS (bore dia. x outside dia. x thickness)	REFERENCE CODE	EAN
35 x 47 x 7 mm 36/45°	HB-C17	3760365231620
35 x 47 x 7 mm 45/45°	HB-C8	3760290190665
35 x 47 x 8 mm 45/45°	HB-C4	3760290190627
36.8 x 45.8 x 6.5 mm 45/45	HB-C14	3760290196858
37 x 46.9 x 7 mm 45/45°	HB-C7	3760290190658
37 x 48 x 7 mm 45/90°	HB-C15	3760290196841
37 x 48.9 x 6.5 mm 36/45°	HB-C100	3760365231743
37 x 49 x 7 mm 45/45°	HB-C3	3760290190610
39 x 46.9 x 7 mm 45/45°	HB-C18	3760365233822
39.7 x 50.8 x 7.14 mm	HB-B543	3760290190818
40 x 49 x 6 mm 45/45°	HB-D20	3760365233280
40 x 50.8 x 7.14 - 45/90°	HB-E1	3760290190825
40 x 51 x 6.5 mm 36/36°	HB-D11	3760290197145
40 x 51 x 6.5 mm 45/45°	HB-D8	3760290190788
40 x 51 x 7 mm 45/45°	HB-D7	3760290190771
40 x 51.5 x 7 mm 45/45°	HB-D12	3760290196834
40 x 51.8 x 6.5 mm 36/45°	HB-D24	3760365233853
40 x 51.8 x 7 mm 45/45°	HB-D27	3760365233976
40 x 51.8 x 7.5 mm 36/45°	HB-D25	3760365233877
40 x 51.8 x 7.5 mm 36/45°	HB-D26	3760365233921
40 x 51.8 x 8 mm 36/45°	HB-D1	3760290190696
40 x 51.8 x 8 mm 45/45°	HB-D13	3760290196827
40 x 51.9 x 7 mm 45/45°	HB-D10	3760290190801
40 x 51.9 x 8 mm 45/45°	HB-D9	3760290190795
40 x 52 x 12 mm 45/45°	HB-D4	3760290190740
40 x 52 x 6.5 mm 36/45°	HB-D5	3760290190757
40 x 52 x 7 mm 36/45°	HB-D14	3760290196810
40 x 52 x 7 mm 45/45°	HB-D2	3760290190702
40 x 52 x 7.5mm 45/45°	HB-D18	3760365230982
40 x 52 x 8 mm 36/45°	HB-D22	3760365233426
40 x 52 x 8 mm 45/45°	HB-D3	3760290190726
40 x 53 x 7 mm 45/45°	HB-D6S	3760290190764
40.5 x 49.5 x 6.5 mm 45/45°	HB-D15	3760290198272
42 x 52 x7 mm 45/45°	HB-D16	3760290199804
46 x 60 x 8 45/45°	HB-D19	3760365231613
47.8 x 56.8 x 6.5 mm 45/45°	HB-D21	3760365233297
50 x 61.9 x 8mm 36/45°	HB-D17	3760365230975

SPHERICAL AND NEEDLE ROLLER BEARINGS



USE: premium quality bearings. For all types of bikes (road, mountain, gravel, e-bikes, etc.).

Features:

- Chrome steel

Needle roller bearing

DIMENSIONS (bore dia. x outside dia. x thickness)	REFERENCE CODE	EAN
10 x 14 x 10 mm	NB-HK1010	3760290193604
10 x 14 x 12 mm	NB-HK1012	3760290193611
10 x 14 x 14 mm	NB-HK1014	3760290193628
12 x 16 x 10 mm	NB-HK1210	3760290193635
12 x 18 x 16 mm	NB-HK1216	3760290193642
14 x 20 x 16 mm	NB-HK1416	3760290193659
14 x 20 x 26 mm	FW-HFL1426 (freewheel)	3760365231804
16 x 22 x 14 mm	NB-HK1614	3760290193666

Spherical bearings

DIMENSIONS (bore dia. x outside dia. x thickness)	REFERENCE CODE	EAN
8 x 16 x 8 mm	SB-GE8	3760290193574
10 x 19 x 9 mm	SB-GE10	3760290193581
15 x 26 x 12 mm	SB-GE15	3760290193598

BEARING KIT BOXES

Our bearing kit boxes have been specially designed to meet the most common needs in workshops.

Through an in-depth analysis of best-selling components, we selected the most popular products to create comprehensive, practical, and ready-to-use kit boxes.



USE	RANGE	NO. OF BEARINGS	REFERENCE CODE	EAN
MTB frame pivots	Max	146	BX-UBMAX	3760290193994
Headset	Headset	53	BX-HBEXPERT	3760290193987
Headset	Headset	36	BX-HBPRO	3760290193970
Frame, wheel, crankset, pulley wheels, etc.	B3	142	BX-UBEXPERT-B3	3760290193956
Frame, wheel, crankset, pulley wheels, etc.	B5	142	BX-UBEXPERT-B5	3760290193963
Frame, wheel, crankset, pulley wheels, etc.	B3	87	BX-UBPRO-B3	3760290193932
Cadre, roue, pédalier, galet...	B5	87	BX-UBPRO-B5	3760290193949

BOTTOM BRACKET

We offer one of the most comprehensive ranges on the market. Whatever your bike and crankset, we have the right solution for you. For BSA, ITA, T47 threaded frames, press-fit 37, 41, 42, 46, 65 as well as 24 mm, GXP, Dub, 30 mm bottom brackets (and many more!).

BB lock technology

This concept replaces traditional 3-part press-fit bottom brackets with a set of 2 cups screwed into one another.

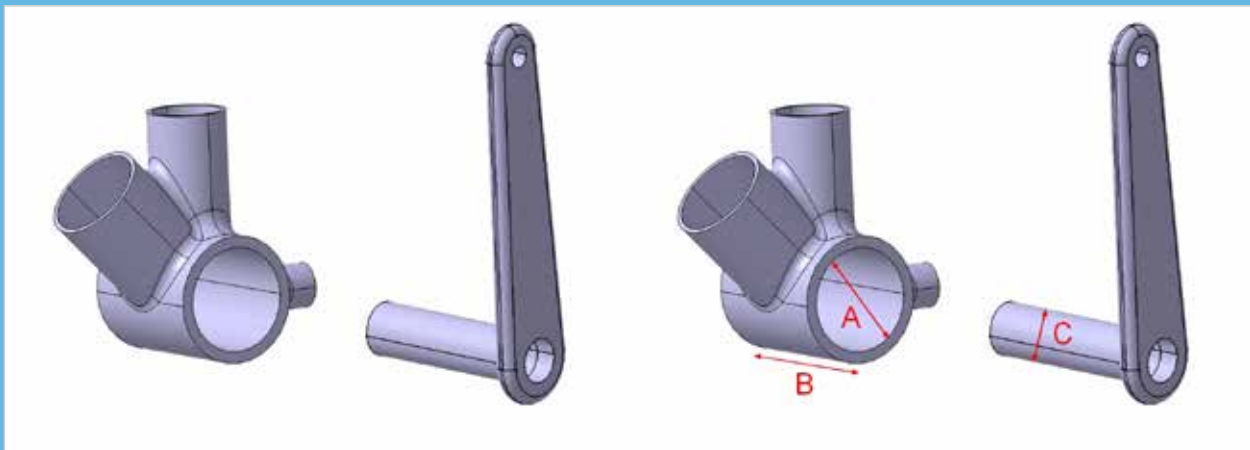
Features:

- CNC-machined and anodised aluminium cups
- No creaking or squeaking noises
- Improved rigidity
- Interchangeable bearings (durable bottom brackets)
- Frame protection (no need to remove the bottom bracket to change the bearings)

BB lock is only available on press-fit bottom brackets (except for 41 mm frames with Dub, 30 and Praxis 30/28 mm bottom brackets)



CHOOSING A BOTTOM BRACKET



To choose the right bottom bracket for your bike, you need to know three things: the bore diameter of the frame (threaded or press-fit), the width of the frame and the diameter of the bottom bracket axle.

		C (bottom bracket)						
		24	GXP (24 / 22)	(CAMPA) 25	DUB (29)	30	PRAXIS (30/28)	
A (frame diameter + mounting)	B (frame width)	68 / 73	X	X	X	X	X	X
		83						
		68 / 73	X	X	X	X	X	X
		77 asymmetrical	X	X	X	X	X	X
		85,5 / 92	X	X	X	X	X	X
	Threaded bottom bracket	ITA (frame diameter – 36 mm)	X	X	X	X	X	X
		37	X	X				
		41	X	X	X	X	X	X
		107						
		68 / 73 symmetrical	X	X	X	X	X	X
Press-fit bottom bracket	42							
	73 asymmetrical Cannondale	X	X	X	X	X	X	
	86 / 92							
	61 Specialized OSBB	X	X	X	X	X	X	
	68 / 73	X	X	X	X	X	X	
65	73A asymmetrical	X	X	X	X	X	X	
	79 asymmetrical	X	X	X	X	X	X	
	68 / 92	X	X	X	X	X	X	
		63 Look	X	X	X	X	X	

BLACKBEARING BOTTOM BRACKETS
A → Threaded BSA/BSC bottom bracket

B → FRAME WIDTH mm	C → BOTTOM BRACKET mm	BEARINGS	BOTTOM BRACKET REFERENCE	EAN
68 / 73	24 ET GXP (24/22)	B5	BB-BSA-68/73-24-B5	3760290190009
68 / 73	24 ET GXP (24/22)	CÉRA	BB-BSA-68/73-24-C	3760290190306
68 / 73	24 ET GXP (24/22)	B5S	BB-BSA-68/73-24-S	3760290190207
68 / 73	25 (CAMPA)	B5	BB-BSA-68/73-25-B5	3760365231880
68 / 73	25 (CAMPA)	CÉRA	BB-BSA-68/73-25-C	3760365231897
68 / 73	30	B5	BB-BSA-68/73-30-B5	3760290190016
68 / 73	30	CÉRA	BB-BSA-68/73-30-C	3760290190313
68 / 73	30	B5S	BB-BSA-68/73-30-S	3760290190214
68 / 73	DUB (28,99)	B5	BB-BSA-68/73-D-B5	3760290195592
68 / 73	DUB (28,99)	CÉRA	BB-BSA-68/73-D-C	3760290195660
68 / 73	DUB (28,99)	B5S	BB-BSA-68/73-D-S	3760290195639
68 / 73	PRAXIS (30/28)	B5	BB-BSA-68/73-P-B5	3760365230104
68 / 73	PRAXIS (30/28)	CÉRA	BB-BSA-68/73-P-C	3760365230180

A → Threaded ITA bottom bracket

B → FRAME WIDTH mm	C → BOTTOM BRACKET mm	BEARINGS	BOTTOM BRACKET REFERENCE	EAN
70	24 ET GXP (24/22)	B5	BB-ITA-70-24-B5	3760290199224
70	24 ET GXP (24/22)	CERA	BB-ITA-70-24-C	3760290199316
70	24 ET GXP (24/22)	B5S	BB-ITA-70-24-S	3760290199262
70	25 (CAMPA)	B5	BB-ITA-70-25-B5	3760290199736
70	25 (CAMPA)	CERA	BB-ITA-70-25-C	3760290199750
70	30	B5	BB-ITA-70-30-B5	3760290199231
70	30	CERA	BB-ITA-70-30-C	3760290199323
70	30	B5S	BB-ITA-70-30-S	3760290199279
70	DUB (28,99)	B5	BB-ITA-70-D-B5	3760290199484
70	DUB (28,99)	CERA	BB-ITA-70-D-C	3760290199521
70	DUB (28,99)	B5S	BB-ITA-70-D-S	3760290199507
70	PRAXIS (30/28)	B5	BB-ITA-70-P-B5	3760365230159
70	PRAXIS (30/28)	CERA	BB-ITA-70-P-C	3760365230234

A → T47 threaded bottom bracket

B → FRAME WIDTH mm	C → BOTTOM BRACKET mm	BEARINGS	BOTTOM BRACKET REFERENCE	EAN
68 / 73	24 ET GXP (24/22)	B5	BB-T47-68/73-24-B5	3760290197169
68 / 73	24 ET GXP (24/22)	CERA	BB-T47-68/73-24-C	3760290197183
68 / 73	24 ET GXP (24/22)	B5S	BB-T47-68/73-24-S	3760290197152
68 / 73	25 (CAMPA)	B5	BB-T47-68/73-25-B5	3760365231903
68 / 73	25 (CAMPA)	CERA	BB-T47-68/73-25-C	3760365231910
68 / 73	30	B5	BB-T47-68/73-30-B5	3760290197824
68 / 73	30	CERA	BB-T47-68/73-30-C	3760290197862
68 / 73	30	B5S	BB-T47-68/73-30-S	3760290197848
68 / 73	DUB (28.99)	B5	BB-T47-68/73-D-B5	3760290197831
68 / 73	DUB (28.99)	CERA	BB-T47-68/73-D-C	3760290197879
68 / 73	DUB (28.99)	B5S	BB-T47-68/73-D-S	3760290197855
68 / 73	PRAXIS (30/28)	B5	BB-T47-68/73-P-B5	3760365230135
68 / 73	PRAXIS (30/28)	CERA	BB-T47-68/73-P-C	3760365230210
85.5 / 92	24 ET GXP (24/22)	B5	BB-T47-86/92-24-B5	3760290199200
85.5 / 92	24 ET GXP (24/22)	CERA	BB-T47-86/92-24-C	3760290199293
85.5 / 92	24 ET GXP (24/22)	B5S	BB-T47-86/92-24-S	3760290199248
85.5 / 92	25 (CAMPA)	B5	BB-T47-86/92-25-B5	3760365231927
85.5 / 92	25 (CAMPA)	CERA	BB-T47-86/92-25-C	3760365231934
85.5 / 92	30	B5	BB-T47-86/92-30-B5	3760290199217
85.5 / 92	30	CERA	BB-T47-86/92-30-C	3760290199309
85.5 / 92	30	B5S	BB-T47-86/92-30-S	3760290199255
85.5 / 92	DUB (28.99)	B5	BB-T47-86/92-D-B5	3760290199477
85.5 / 92	DUB (28.99)	CERA	BB-T47-86/92-D-C	3760290199514
85.5 / 92	DUB (28.99)	B5S	BB-T47-86/92-D-S	3760290199491
85.5 / 92	PRAXIS (30/28)	B5	BB-T47-86/92-P-B5	3760365230142
85.5 / 92	PRAXIS (30/28)	CERA	BB-T47-86/92-P-C	3760365230227
77 (asymmetrical)	24 ET GXP (24/22)	B5	BB-T47A-24-B5	3760365231101
77 (asymmetrical)	24 ET GXP (24/22)	CERA	BB-T47A-24-C	3760365231118
77 (asymmetrical)	30	B5	BB-T47A-30-B5	3760365231163
77 (asymmetrical)	30	CERA	BB-T47A-30-C	3760365231170
77 (asymmetrical)	DUB (28.99)	B5	BB-T47A-D-B5	3760365231132
77 (asymmetrical)	DUB (28.99)	CERA	BB-T47A-D-C	3760365231149
77 (asymmetrical)	PRAXIS (30/28)	B5	BB-T47A-P-B5	3760365231194
77 (asymmetrical)	PRAXIS (30/28)	CERA	BB-T47A-P-C	3760365231200

BLACKBEARING BOTTOM BRACKETS
A → 37 diameter (set of 2 bearings)

B → FRAME WIDTH mm	C → BOTTOM BRACKET mm	BEARINGS	BOTTOM BRACKET REFERENCE	EAN
90 / 95	GXP (24/22)	B3	BB-BB90/95-GXP-B3	3760290197954
90 / 95	GXP (24/22)	CÉRA	BB-BB90/95-GXP-C	3760290197978
90 / 95	24	B3	BB-BB90/95-24-B3	3760290197947
90 / 95	24	CÉRA	BB-BB90/95-24-C	3760290197961

A → Press-fit 41 diameter bottom bracket

B → FRAME WIDTH mm	C → BOTTOM BRACKET mm	BEARINGS	BOTTOM BRACKET REFERENCE	EAN
86 / 92	24 ET GXP (24/22)	B5	BB-41-86/92-24-B5	3760290190023
86 / 92	24 ET GXP (24/22)	CERA	BB-41-86/92-24-C	3760290190320
86 / 92	24 ET GXP (24/22)	B5S	BB-41-86/92-24-S	3760290190221
86 / 92	25	B5	BB-41-86/92-25-B5	3760365232122
86 / 92	25	CERA	BB-41-86/92-25-C	3760365232139
86 / 92	30	CERA	BB-41-86/92-30-C	3760290199286
86 / 92	30	B5	BB-41-86/92-30V	3760290199194
86 et +	30	B5	BB-41-30-B5	3760290196445
86 / 92	DUB (28.99)	CERA	BB-41-86/92-D-C	3760290199385
86 / 92	DUB (28.99)	B5	BB-41-86/92-DV	3760290199378
86 / 92	DUB (28.99)	B5	BB-41-D-B5	3760290197992
86 / 92	PRAXIS (30/28)	B5	BB-41-86/92-P-V-B5	3760365230081
86 / 92	PRAXIS (30/28)	CERA	BB-41-86/92-P-V-C	3760365230166
86 / 92	PRAXIS (30/28)	B5	BB-41-PRAXIS-B5	3760365230074

A → Press-fit 42 diameter bottom bracket

B → FRAME WIDTH mm	C → BOTTOM BRACKET mm	BEARINGS	BOTTOM BRACKET REFERENCE	EAN
68 / 73	24 ET GXP (24/22)	B5	BB-42-68/73-24-B5	3760290190030
68 / 73	24 ET GXP (24/22)	CÉRA	BB-42-68/73-24-C	3760290190337
68 / 73	24 ET GXP (24/22)	B5S	BB-42-68/73-24-S	3760290190238
68 / 73	25	B5	BB-42-68/73-25-B5	3760365232085
68 / 73	25	CERA	BB-42-68/73-25-C	3760365232092
68 / 73	30	B5	BB-42-68/73-30-B5	3760290199392
68 / 73	30	CÉRA	BB-42-68/73-30-C	3760290199439
68 / 73	30	B5S	BB-42-68/73-30-S	3760290199415
68 / 73	DUB (28.99)	B5	BB-42-68/73-D-B5	3760290199408
68 / 73	DUB (28.99)	CÉRA	BB-42-68/73-D-C	3760290199446
68 / 73	DUB (28.99)	B5S	BB-42-68/73-D-S	3760290199422
68 / 73	PRAXIS (30/28)	B5	BB-42-68/73-P-B5	3760365230098
68 / 73	PRAXIS (30/28)	CÉRA	BB-42-68/73-P-C	3760365230173

A → Press-fit 46 diameter bottom bracket

B → FRAME WIDTH mm	C → BOTTOM BRACKET mm	BEARINGS	BOTTOM BRACKET REFERENCE	EAN
61 (Specialized OSBB)	24 AND GXP (24/22)	B5	BB-46-61-24-B5	3760365233655
61 (Specialized OSBB)	24 AND GXP (24/22)	CÉRA	BB-46-61-24-C	3760365233662
61 (Specialized OSBB)	24 AND GXP (24/22)	B5S	BB-46-61-24-S	3760365233679
61 (Specialized OSBB)	25 (CAMPA)	B5	BB-46-61-25-B5	3760365233686
61 (Specialized OSBB)	25 (CAMPA)	CÉRA	BB-46-61-25-C	3760365233693
61 (Specialized OSBB)	DUB (28.99)	B5	BB-46-61-D-B5	3760365233709
61 (Specialized OSBB)	DUB (28.99)	CÉRA	BB-46-61-D-C	3760365233716
61 (Specialized OSBB)	DUB (28.99)	B5S	BB-46-61-D-S	3760365233723
61 (Specialized OSBB)	30	B5	BB-46-61-30-B5	3760365233730
61 (Specialized OSBB)	30	CÉRA	BB-46-61-30-C	3760365233747
61 (Specialized OSBB)	30	B5S	BB-46-61-30-S	3760365233754
61 (Specialized OSBB)	PRAXIS (30/28)	B5	BB-46-61-P-B5	3760365233761
61 (Specialized OSBB)	PRAXIS (30/28)	CÉRA	BB-46-61-P-C	3760365233778
61 (Specialized OSBB)	PRAXIS (30/28)	B5S	BB-46-61-P-S	3760365233785
68 / 73	24 AND GXP (24/22)	B5	BB-46-68/73-24-B5	3760290190061
68 / 73	24 AND GXP (24/22)	CÉRA	BB-46-68/73-24-C	3760290190368
68 / 73	24 AND GXP (24/22)	B5S	BB-46-68/73-24-S	3760290190269
68 / 73	25	B5	BB-46-68/73-25-B5	3760365232160
68 / 73	25	B5	BB-46-68/73-25-C	3760365232177
68 / 73	30	B5	BB-46-68/73-30-B5	3760290190078
68 / 73	30	CÉRA	BB-46-68/73-30-C	3760290190375
68 / 73	30	B5S	BB-46-68/73-30-S	3760290190276
68 / 73	DUB (28.99)	B5	BB-46-68/73-D-B5	3760290195608
68 / 73	DUB (28.99)	CÉRA	BB-46-68/73-D-C	3760290195677
68 / 73	DUB (28.99)	B5S	BB-46-68/73-D-S	3760290195646
68 / 73	PRAXIS (30/28)	B5	BB-46-68/73-P-B5	3760365230128
68 / 73	PRAXIS (30/28)	CÉRA	BB-46-68/73-P-C	3760365230203
68 / 92	24 AND GXP (24/22)	B5	BB-46-68/92-24-B5	3760290190085
68 / 92	24 AND GXP (24/22)	CÉRA	BB-46-68/92-24-C	3760290190382
68 / 92	24 AND GXP (24/22)	B5S	BB-46-68/92-24-S	3760290190283
68 / 92	30	B5	BB-46-68/92-30-B5	3760290190092
68 / 92	30	CÉRA	BB-46-68/92-30-C	3760290190399
68 / 92	30	B5S	BB-46-68/92-30-S	3760290190290
68 / 92	DUB (28.99)	B5	BB-46-68/92-D-B5	3760290195615
68 / 92	DUB (28.99)	CÉRA	BB-46-68/92-D-C	3760290195684
68 / 92	DUB (28.99)	B5S	BB-46-68/92-D-S	3760290195653

BLACKBEARING BOTTOM BRACKETS
A → Press-fit 46 diameter bottom bracket (continued)

B → FRAME WIDTH mm	C → BOTTOM BRACKET mm	BEARINGS	BOTTOM BRACKET REFERENCE	EAN
68 / 92	PRAXIS (30/28)	B5	BB-46-68/92-P-B5	3760365230111
68 / 92	PRAXIS (30/28)	CÉRA	BB-46-68/92-P-C	3760365230197
73 (asymmetrical)	24 AND GXP (24/22)	B5	BB-46-73A-24-B5	3760290199699
73 (asymmetrical)	24 AND GXP (24/22)	CÉRA	BB-46-73A-24-C	3760290199712
73 (asymmetrical)	24 AND GXP (24/22)	B5S	BB-46-73A-24-S	3760290199705
73 (asymmetrical)	30	B5	BB-46-73A-30-B5	3760365230562
73 (asymmetrical)	30	CÉRA	BB-46-73A-30-C	3760365230609
73 (asymmetrical)	DUB (28.99)	B5	BB-46-73A-D-B5	3760365230579
73 (asymmetrical)	DUB (28.99)	CÉRA	BB-46-73A-D-C	3760365230616
73 (asymmetrical)	PRAXIS (30/28)	B5	BB-46-73A-P-B5	3760365230586
73 (asymmetrical)	PRAXIS (30/28)	CÉRA	BB-46-73A-P-C	3760365230623
73 (asymmetrical)	25 (CAMPA)	B5	BB-46-73A-25-B5	3760365232184
73 (asymmetrical)	25 (CAMPA)	CÉRA	BB-46-73A-25-C	3760365232191
79 (asymmetrical)	24 AND GXP (24/22)	B5	BB-46-79-24-B5	3760290190054
79 (asymmetrical)	24 AND GXP (24/22)	CÉRA	BB-46-79-24-C	3760290190351
79 (asymmetrical)	24 AND GXP (24/22)	B5S	BB-46-79-24-S	3760290190252
79	25	B5	BB-46-79-25-B5	3760365232146
79	25	B5	BB-46-79-25-C	3760365232153
79 (asymmetrical)	30	B5	BB-46-79-30-B5	3760365230494
79 (asymmetrical)	30	CÉRA	BB-46-79-30-C	3760365230470
79 (asymmetrical)	30	B5S	BB-46-79-30-S	3760365230517
79 (asymmetrical)	DUB (28.99)	B5	BB-46-79-D-B5	3760365230500
79 (asymmetrical)	DUB (28.99)	CÉRA	BB-46-79-D-C	3760365230487
79 (asymmetrical)	DUB (28.99)	B5S	BB-46-79-D-S	3760365230524
79 (asymmetrical)	PRAXIS (30/28)	B5	BB-46-79-P-B5	3760365230555
79 (asymmetrical)	PRAXIS (30/28)	CÉRA	BB-46-79-P-C	3760365230593

A → Press-fit 65 diameter bottom bracket

B → FRAME WIDTH mm	C → BOTTOM BRACKET mm	BEARINGS	BOTTOM BRACKET REFERENCE	EAN
63	24 AND GXP (24/22)	B5	BB-65-63-24-B5	3760365231941
63	24 AND GXP (24/22)	CERA	BB-65-63-24-C	3760365232061
63	30	B5	BB-65-63-30-B5	3760365231989
63	30	CERA	BB-65-63-30-C	3760365231996
63	DUB (28,99)	B5	BB-65-63-D-B5	3760365232016
63	DUB (28,99)	CERA	BB-65-63-D-C	3760365232078
63	PRAXIS (30/28)	B5	BB-65-63-P-B5	3760365232030
63	PRAXIS (30/28)	CERA	BB-65-63-P-C	3760365232047



Bottom bracket accessories

REFERENCE CODE	EAN
BB-ADAPTER-24	3760290197008
BB-ADAPTER-30	3760290196971
BB-ADAPTER-D	3760290195622
BB-ADAPTER-P	3760365230319
BB-SPACER-24	3760290190443
BB-SPACER-30	3760290190429
BB-SPACER-GXP	3760290190436
BB-SPACER-OSBB	3760365230739
BB-WAVEWASHER-24	3760290196995
BB-WAVEWASHER-30	3760290196988
BB-SPACER-DUB	3760365232641
TO-BOTTOMBRACKET1	3760290190405
TO-BOTTOMBRACKET5	3760290199651



BOTTOM BRACKET BEARING KIT

This range was designed for press-fit bearings inserted directly into the frame as well as for reconditioning bottom brackets.



STANDARD FRAME/ BOTTOM BRACKET	BEARINGS BORE DIAMETER mm	BEARINGS	NO. OF BEARINGS	REFERENCE CODE	EAN
LOOK 695 (65 mm frame)	50	B3	2	BB-LOOK695-B3	3760290193895
LOOK 695 (65 mm frame)	50	B5	2	BB-LOOK695-B5	3760290193901
37 mm	24	B3	2	BB-PF2437-B3	3760290193888
37 mm	25 (campa)	CERA	2	BB-ULTRATORQUE-C	3760290197985
37 mm	25 (campa)	B3	2	BB-ULTRATORQUE-B3	3760290193925
37 mm	24 / 22	B3	2	BB-BB90/95-GXP-B3	3760290197954
37 mm	24 / 22	CERA	2	BB-BB90/95-GXP-C	3760290197978
37 mm	24	B3	2	BB-BB90/95-24-B3	3760290197947
37 mm	24	CERA	2	BB-BB90/95-24-C	3760290197961
37 mm	24 / 22	B3	2	BB-GXPALT-B3	3760290196315
37 mm	24 / 22	B3	2	BB-GXPSTD-B3	3760290196322
41 mm	30	B3	2	BB-PF30SRAM-B3	3760290196377
42 mm	30	B3	2	BB-PF30-B3	3760365230722
42 mm	30	B3	2	BB-BB30-B3	3760290193741
42 mm	30	B3S	2	BB-BB30-B3S	3760290193758
42 mm	30	B5	2	BB-BB30-B5	3760290193765
42 mm	30	B5S	2	BB-BB30-B5S	3760290193772
42 mm	30	CERA	2	BB-BB30-CERA	3760290197138
42 mm	30	B3	10	BB-BB30PACK10-B3	3760290193796
42 mm	30	B3S	10	BB-BB30PACK10-B3S	3760290193819
42 mm	30	B5	10	BB-BB30PACK10-B5	3760290193833
42 mm	30	B5S	10	BB-BB30PACK10-B5S	3760290193857
42 mm	30	B3	20	BB-BB30PACK20-B3	3760290193802
42 mm	30	B3S	20	BB-BB30PACK20-B3S	3760290193826
42 mm	30	B5	20	BB-BB30PACK20-B5	3760290193840
42 mm	30	B5S	20	BB-BB30PACK20-B5S	3760290193864
46 mm	30	B3S	2	BB-PF30-B3S	3760365230692
46 mm	30	B5	2	BB-PF30-B5	3760365230708
46 mm	30	B5S	2	BB-PF30-B5S	3760365230715

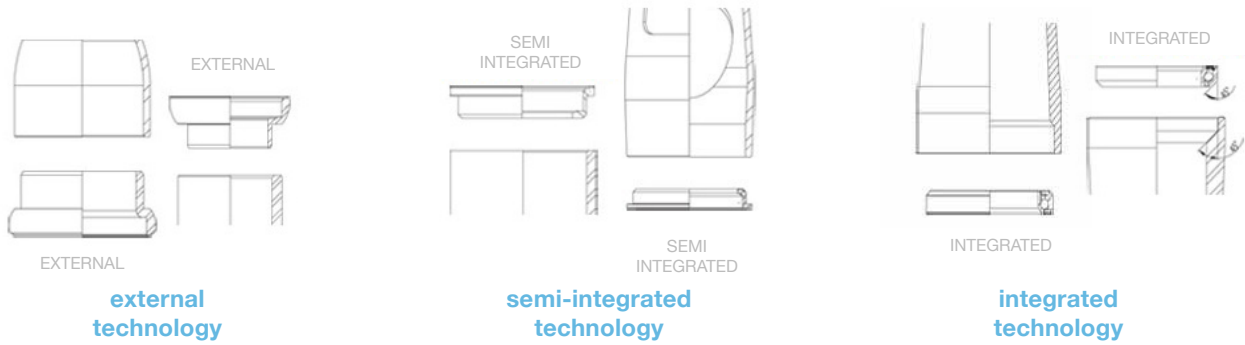
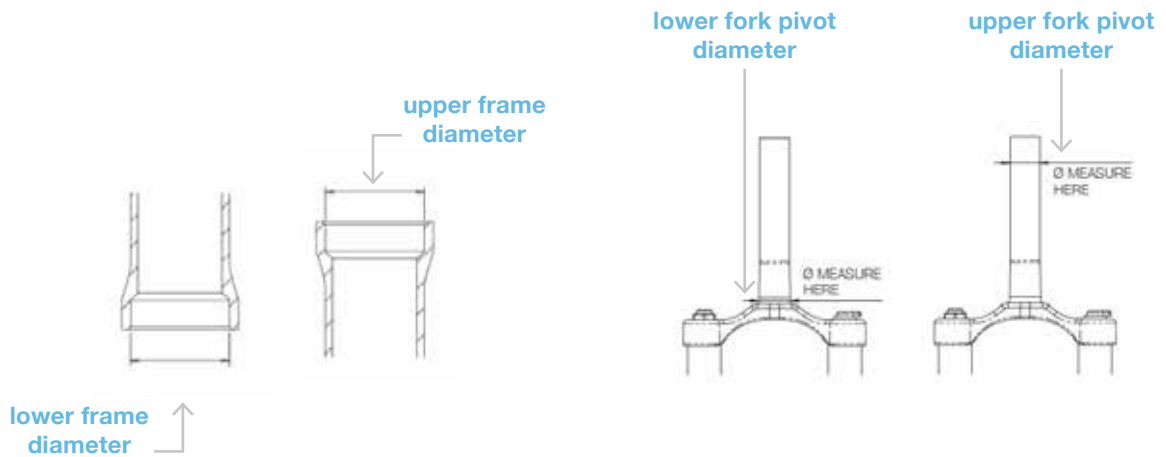
HEADSETS



Our range consists of half headsets. This means you can buy the top or bottom parts separately and put together your own sets if necessary.

Features:

- CNC machined and anodised aluminium cups
- Interchangeable bearings



Internal cable routing

FRAME DIAMETER	CABLES	TOP OR BOTTOM	FORK PIVOT	FRAME CUP TECHNOLOGY	REFERENCE CODE	EAN	BEARING REFERENCE
52	Internal	Top	1"1/8 = 28.6 mm	integrated	HE-ISC52/28.6	3760365232627	HB-D1
56	Internal	Top	1"1/8 = 28.6 mm	semi-integrated	HE-ZSC56/28.6	3760365232610	HB-D1

External cable routing

FRAME DIAMETER	CABLES	TOP OR BOTTOM	FORK PIVOT	FRAME CUP TECHNOLOGY	REFERENCE CODE	EAN	BEARING REFERENCE
34	External	Bottom	1"1/8 = 30 mm	external	HE-EC34/30	3760290197671	HB-B3
34	External	Top	1"1/8 = 28.6 mm	external	HE-EC34/28.6	3760290197749	HB-B3
41	External	Bottom	1"1/8 = 30 mm	integrated	HE-IS41/30	3760290197633	HB-B3
41	External	Top	1"1/8 = 28.6 mm	integrated	HE-IS41/28.6	3760290197718	HB-B3
42	External	Bottom	1"1/8 = 30 mm	integrated	HE-IS42/30	3760290197626	HB-B6
42	External	Top	1"1/8 = 28.6 mm	integrated	HE-IS42/28.6	3760290197701	HB-B6
44	External	Top	1"1/8 = 28.6 mm	semi-integrated	HE-ZS44/28.6	3760290197695	HB-B3
44	External	Bottom	1"1/2 = 1.5" = 40 mm	external	HE-EC44/40	3760290197664	HB-D2
44	External	Bottom	1"1/8 = 30 mm	semi-integrated	HE-ZS44/30	3760290197572	HB-B3
47	External	Bottom	1"1/8 = 30 mm	integrated	HE-IS47/30	3760290197619	HB-C1
47	External	Bottom	1"1/4 = 33 mm	integrated	HE-IS47/33	3760290197602	HB-C1
49	External	Bottom	1"1/8 = 30 mm	external	HE-EC49/30	3760290197657	HB-D2
49	External	Bottom	1"1/2 = 1.5" = 40 mm	external	HE-EC49/40	3760290197640	HB-D2
49	External	Bottom	1"1/8 = 30 mm	semi-integrated	HE-ZS49/30	3760290197565	HB-B3
49	External	Top	1"1/8 = 28.6 mm	external	HE-EC49/28.6	3760290197732	HB-D2
49	External	Top	1"1/2 = 1.5" = 38.1 mm	external	HE-EC49/38.1	3760290197725	HB-D2
49	External	Top	1"1/8 = 28.6 mm	semi-integrated	HE-ZS49/28.6	3760365232597	HB-B3
52	External	Bottom	1"1/8 = 30 mm	integrated	HE-IS52/30	3760290197596	HB-D2
52	External	Bottom	1"1/2 = 1.5" = 40 mm	integrated	HE-IS52/40	3760290197589	HB-D2
52	External	Top	1"1/8 = 28.6 mm	integrated	HE-IS52/28.6	3760365232603	HB-D1
55	External	Bottom	1"1/8 = 30 mm	semi-integrated	HE-ZS55/30	3760290197558	HB-D2
55	External	Bottom	1"1/2 = 1.5" = 40 mm	semi-integrated	HE-ZS55/40	3760290198012	HB-D2
56	External	Bottom	1"1/8 = 30 mm	semi-integrated	HE-ZS56/30	3760290197541	HB-D2
56	External	Bottom	1"1/2 = 1.5" = 40 mm	semi-integrated	HE-ZS56/40	3760290197534	HB-D2
56	External	Top	1"1/2 = 1.5" = 38.1 mm	semi-integrated	HE-ZS56/38.1	3760290197688	HB-D2
56	External	Top	1"1/8 = 28.6 mm	semi-integrated	HE-ZS56/28.6	3760290198005	HB-D2
60	External	Bottom	1"1/2 = 1.5" = 40 mm	integrated	HE-IS60/40	3760365232580	HB-D19
60	External	Bottom	1.8" = 45.8 mm	integrated	HE-IS60/45.8	3760365232573	HB-D19
66	External	Bottom	1"1/2 = 1.5" = 40 mm	semi-integrated	HE-ZS66/40	3760365232566	HB-D17
66	External	Bottom	1.8" = 45.8 mm	semi-integrated	HE-ZS66/45.8	3760365232559	HB-D17



Headset accessories

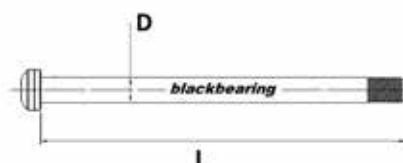
REFERENCE CODE	EAN
HE-NUTS	3760365230746
HE-TOPCAPS118	3760365231361

WHEEL AXES



Features:

- CNC machined and anodised aluminium
- Clamping with tool or quick release lever



Wheel axles

FRONT OR REAR	DIAMETER D mm	TOTAL LENGTH L (without head)	THREAD PITCH	CONICAL HEAD	CLAMPING WITH TOOL OR LEVER	REFERENCE CODE	NOTE	EAN
Front	12	120	1.5	no	With tool	AX-F12.1		3760290197480
Front	12	120	1.5	no	Quick release lever	AX-F12.1QR		3760290197312
Front	12	125	1.5	no	With tool	AX-F12.2		3760290197473
Front	12	125	1.5	no	Quick release lever	AX-F12.2QR		3760290197305
Front	12	122	1	no	With tool	AX-F12.3		3760290199774
Front	12	122	1	no	Quick release lever	AX-F12.3QR		3760290197527
Front	12	118.5	1.5	no	With tool	AX-F12.4		3760365230333
Front	12	119	1	no	With tool	AX-F12.5		3760365230340
Front	12	121	1.5	no	With tool	AX-F12.6		3760365230357
Front	15	125	1.5	no	With tool	AX-F15.1		3760290197510
Front	15	125	1.5	no	Quick release lever	AX-F15.1QR		3760290197343
Front	15	148	1.5	no	With tool	AX-F15.2	RockShox fork	3760290197503
Front	15	148	1.5	no	Quick release lever	AX-F15.2QR	RockShox fork	3760290197336
Front	15	158	1.5	no	With tool	AX-F15.3	RockShox fork	3760290197497
Front	15	158	1.5	no	Quick release lever	AX-F15.3QR	RockShox fork	3760290197329
Front	15	145	1.5	no	With tool	AX-F15.4	Fox fork	3760290197190
Front	15	145	1.5	no	Quick release lever	AX-F15.4QR	Fox fork	3760290197367
Front	15	155	1.5	no	With tool	AX-F15.5	Fox fork	3760290197206
Front	15	155	1.5	no	Quick release lever	AX-F15.5QR	Fox fork	3760290197350
Front	15	150	1.5	no	With tool	AX-F15.6		3760365230326
Front	15	199	1.5	no	With tool	AX-F15.7		3760365230449
Rear	12	230		no	With tool	AX-R12	Raw axle to be machined	3760365230753
Rear	12	174	1	no	With tool	AX-R12.10		3760290197398
Rear	12	174	1	no	With tool	AX-R12.10QR		3760290197220
Rear	12	167	1	yes	With tool	AX-R12.11		3760290197381
Rear	12	167	1	yes	Quick release lever	AX-R12.11QR		3760290197213
Rear	12	180	1.75	no	With tool	AX-R12.12		3760290197374
Rear	12	160.5	1.5	no	With tool	AX-R12.13		3760365230364
Rear	12	164	1	no	With tool	AX-R12.14		3760365230371

BLACKBEARING *wheel axles*

FRONT OR REAR	DIAMETER D mm	TOTAL LENGTH L (without head)	THREAD PITCH	CONICAL HEAD	CLAMPING WITH TOOL OR LEVER	REFERENCE CODE	NOTE	EAN
Rear	12	165	1.5	no	With tool	AX-R12.15		3760365230388
Rear	12	167	1.75	no	With tool	AX-R12.16		3760365230395
Rear	12	170	1.75	no	With tool	AX-R12.17		3760365230401
Rear	12	172	1	yes	With tool	AX-R12.18		3760365230418
Rear	12	174	1.5	no	With tool	AX-R12.19		3760365230425
Rear	12	178	1.75	no	With tool	AX-R12.20		3760365230432
Rear	12	229	1.75	no	With tool	AX-R12.22		3760365230456
Rear	12	164	1.5	no	With tool	AX-R12.3		3760290197466
Rear	12	164	1.5	no	Quick release lever	AX-R12.3QR		3760290197299
Rear	12	170	1.5	no	With tool	AX-R12.4		3760290197459
Rear	12	170	1.5	no	Quick release lever	AX-R12.4QR		3760290197282
Rear	12	172	1.5	yes	With tool	AX-R12.5		3760290197442
Rear	12	172	1.5	no	Quick release lever	AX-R12.5QR		3760290197275
Rear	12	179	1.5	no	With tool	AX-R12.6		3760290197435
Rear	12	179	1.5	no	Quick release lever	AX-R12.6QR		3760290197268
Rear	12	227	1.5	no	With tool	AX-R12.7		3760290197428
Rear	12	228.5	1.5	no	Quick release lever	AX-R12.7QR		3760290197251
Rear	12	174	1.75	no	With tool	AX-R12.8		3760290197411
Rear	12	174	1.75	no	Quick release lever	AX-R12.8QR		3760290197244
Rear	12	159	1	yes	With tool	AX-R12.9		3760290197404
Rear	12	159	1	no	Quick release lever	AX-R12.9QR		3760290197237



QR *wheel axles*

FRONT OR REAR	REFERENCE CODE	EAN
Rear	AX-RQF-B3	3760290199569
Rear	AX-RQF-B5	3760290199583
Front	AX-FQR-B3	3760290199552
Front	AX-FQR-B5	3760290199576

Wheel axles for trailers

AXLE DIAMETER D mm	THREAD PITCH	TOTAL LENGTH L (without head)	REFERENCE CODE	EAN
12	1	from 171 to 183 with washers supplied	AX-TR-1.0-1	3760365231712
12	1	from 154 to 172 with washers supplied	AX-TR-1.0-2	3760365231729
12	1	from 158 to 170 with washers supplied	AX-TR-1.0-3	3760365231781
12	1.5	from 164 to 172 with washers supplied	AX-TR-1.5	3760290199620
12	1.5	from 170 to 178 with washers supplied	AX-TR-1.5-2	3760365231767
12	1.5	from 157 to 165 with washers supplied	AX-TR-1.5-4	3760365231774
12	1.75	from 172 to 180 with washers supplied	AX-TR-1.75-2	3760365231750

Wheel axles for indoor trainers

AXLE DIAMETER D mm	THREAD PITCH	TOTAL LENGTH L (without head)	REFERENCE CODE	EAN
12	1	from 160 to 172 with washers supplied	AX-HT-1.0	3760290199590
12	1.5	from 160 to 172 with washers supplied	AX-HT-1.5	3760290199606
12	1.75	from 160 to 172 with washers supplied	AX-HT-1.75	3760290199613



PARTS FOR E-BIKE MOTORS

- Option to repair instead of replacing the motor.
- Motor parts not included in official manufacturer documentation.
- Premium quality parts

BOSCH Gen1 motors

PARTS	REFERENCE CODE	MODEL	EAN
Service kit	EM-040-BOSCH	Gen1	3760365231644
Left-side bottom bracket bearing (D ext 42)	EM-041-BOSCH	Gen1	3760365231651
Right-side bottom bracket bearing (D ext 42)	EM-042-BOSCH	Gen1	3760365231668
Main bearing (D ext 65)	EM-043-BOSCH	Gen1	3760365231675
Freewheel	EM-044-BOSCH	Gen1	3760365231682



BOSCH Gen2 motors

PARTS	REFERENCE CODE	MODEL	EAN
Complete service kit	EM-001-BOSCH	Gen2	3760290198364
Bottom bracket service kit	EM-002-BOSCH	Gen2	3760290198371
Bearing (D ext 32)	EM-003-BOSCH	Gen2	3760290198388
Freewheel	EM-004-BOSCH	Gen2	3760290198395
Bearing (D ext 30)	EM-005-BOSCH	Gen2	3760290198401
Bearing (D ext 58)	EM-006-BOSCH	Gen2	3760290198418
Bearing (D ext 42)	EM-007-BOSCH	Gen2	3760290198425
Bearing (D ext 37)	EM-008-BOSCH	Gen2	3760290198432
Bearing (D ext 16)	EM-009-BOSCH	Gen2	3760290198449
Freewheel	EM-010-BOSCH	Gen2	3760290198456
Freewheel	EM-011-BOSCH	Gen2	3760290198463
Needle roller bearing	EM-012-BOSCH	Gen2	3760290198470
Output sprocket O-ring seal	EM-014-BOSCH	Gen2	3760290198494
Crank spindle O-ring seal	EM-017-BOSCH	Gen2	3760290198869



EM-001-BOSCH



EM-002-BOSCH



EM-003-BOSCH



EM-004-BOSCH



EM-005-BOSCH



EM-006-BOSCH



EM-007-BOSCH



EM-008-BOSCH



EM-009-BOSCH



EM-010-BOSCH



EM-011-BOCH



EM-012-BOSCH



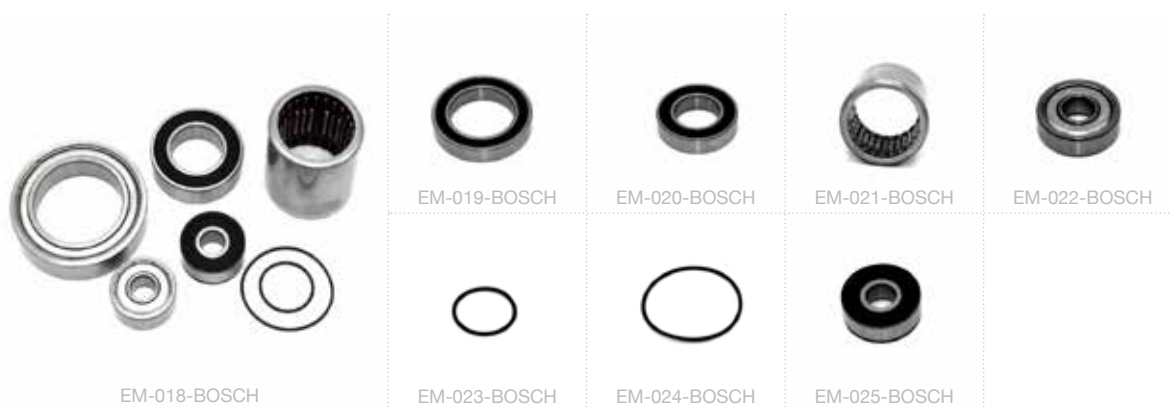
EM-014-BOSCH



EM-017-BOSCH

BOSCH Gen3 motors

PARTS	REFERENCE CODE	MODEL	EAN
Bearing service kit	EM-018-BOSCH	Gen3	3760290199859
Bearing (D ext 47)	EM-019-BOSCH	Gen3	3760290199866
Bearing (D ext 33)	EM-020-BOSCH	Gen3	3760290199873
Freewheel	EM-021-BOSCH	Gen3	3760290199880
Bearing (D ext 22)	EM-022-BOSCH	Gen3	3760290199897
O-ring seal for the motor	EM-023-BOSCH	Gen3	3760290199903
O-ring seal for the motor	EM-024-BOSCH	Gen3	3760290199910
Bearing (D ext 22)	EM-025-BOSCH	Gen3	3760290199927



BOSCH Gen4 motors

PARTS	REFERENCE CODE	MODEL	EAN
Service kit	EM-026-BOSCH	Gen4	3760290199934
Needle roller bearing	EM-027-BOSCH	Gen4	3760290199941
Needle roller bearing	EM-028-BOSCH	Gen4	3760290199958
Bearing (D ext 37)	EM-029-BOSCH	Gen4	3760290199965
Freewheel	EM-030-BOSCH	Gen4	3760290199972
Bearing (D ext 26)	EM-031-BOSCH	Gen4	3760290199989
Bearing (D ext 47)	EM-032-BOSCH	Gen4	3760290199996
Bearing (D ext 24)	EM-033-BOSCH	Gen4	3760365230005
Bearing (D ext 24)	EM-034-BOSCH	Gen4	3760365230012
O-ring seal	EM-035-BOSCH	Gen4	3760365230029
O-ring seal	EM-036-BOSCH	Gen4	3760365230036
O-ring seal	EM-037-BOSCH	Gen4	3760365230043
O-ring seal	EM-038-BOSCH	Gen4	3760365230050
Bearing (D ext 26)	EM-039-BOSCH	Gen4	3760365230067
Bottom bracket bushing	EM-045-BOSCH	Gen4	3760365233341



BROSE motors

PARTS	REFERENCE CODE	MODEL	EAN
Bearing (D ext 72)	EM-002-BROSE	Aluminium/magnesium	3760290198524
Bearing (D ext 47)	EM-003-BROSE	Aluminium/magnesium	3760290198531
Bearing (D ext 37)	EM-004-BROSE	Aluminium/magnesium	3760290198548
Bearing (D ext 37)	EM-005-BROSE	Aluminium/magnesium	3760290198555
Magnesium casing seal	EM-006-BROSE	Aluminium/magnesium	3760290198562
Freewheel (large)	EM-007-BROSE	Aluminium/magnesium	3760290198579
Freewheel (small)	EM-008-BROSE	Aluminium/magnesium	3760290198586
Needle roller bearing	EM-009-BROSE	Aluminium/magnesium	3760290198593
Service kit	EM-011-BROSE	Aluminium/magnesium	3760290198616
Aluminium casing seal	EM-012-BROSE	Aluminium/magnesium	3760290198883



YAMAHA motors

PARTS	REFERENCE CODE	MODEL	EAN
Service kit	EM-001-YAMAHA	PW & PW-SE	3760290198623
Service kit	EM-016-YAMAHA	PW-X	3760290198777



GIANT *motors*

PARTS	REFERENCE CODE	MODEL	EAN
Service kit	EM-001-GIANT	Sync drive core	3760365233310
Service kit	EM-010-GIANT	Sync drive sport	3760365233365



EM-010-GIANT



EM-001-GIANT

PANASONIC *motors*

PARTS	REFERENCE CODE	MODEL	EAN
Service kit	EM-001-PANASONIC	36V	3760290198784



EM-001-PANASONIC

SHIMANO *motors*

PARTS	REFERENCE CODE	MODEL	EAN
Service kit	EM-001-SHIM	E8000	3760365233327
Service kit	EM-010-SHIM	E5000	3760365233334



EM-001-SHIM



EM-010-SHIM

TOOLS

Did you know that incorrect installation is the leading cause of premature bearing wear in 50% of cases? That's why we offer a (comprehensive or wide) range of tools designed to ensure correct bearing installation.

BEARING INSTALLATION:

BB-TO-PRESS1

BLACKBEARING *press1 bearing installation press set*

EAN

3760290195530

Features:

- Economical model
- Aluminium spacers
- Versatile: can be used for wheels, frames, bottom brackets



COMPATIBLE BEARINGS

6700-2RS / 688-2RS / 6800-2RS / 698-2RS / 63800-2RS / 688-2RS-E / DR-6700-2RS / 608-2RS / 6801-2RS / 6001-2RS / 6902-2RS / 6702-2RS / 7801-2RS / 16100-2RS / 7902-2RS / MR-17287-2RS / MR-17286-2RS / 16001-2RS / MR-16287-2RS / MR-17289-2RS / MR-19285-2RS / 7001-2RS / 6902-2RS-E / 3001-2RS / 6802-2RS / 6901-2RS / 628-2RS / 6200-2RS / 6903-2RS / 609-2RS / 7901-2RS / 3802-2RS / 63802-2RS / 7903-2RS / MR-18307-2RS / 3903-2RS / 6000-2RS / 6803-2RS / 6201-2RS / 6002-2RS / 6804-2RS / 629-2RS / 63803-2RS / MR-15267-2RS / MR-12268-2RS / DR-1526-2RS / 16002-2RS / 7805-2RS / 3002-2RS / 3804-2RS / 608-2RS / 6900-2RS / 6805-2RS / 6904-2RS / MR-2437-2RS / 608/9-2RS / 608-2RS-E / MR24077-2RS / MR-275377-2RS

BB-TO-PRESS2

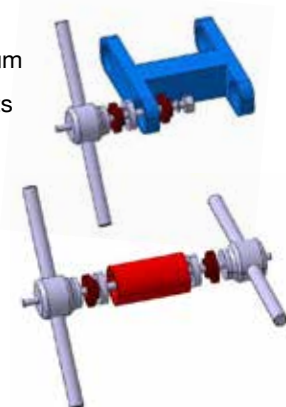
BLACKBEARING *press2 bearing installation press set*

EAN

3760290197923

Features:

- High-end model in CNC-machined and anodised aluminium
- Versatile: can be used for wheels, frames, bottom brackets
- Each part is sold separately
- Adjustable and centred spacer for each bearing
- 34 spacers: 17 models supplied in duplicate
- Stored on a stand, to be placed flat or mounted on a wall
- 2 threaded rod lengths (150 and 250 mm)
- Upgradeable with TO-PRESS3 / TO-PRESS4



COMPATIBLE BEARINGS

608 / 15267 / 18307 / 2437 / 6000 / 6001 / 6800 / 6801 & 63801 / 6802 & 63802 / 63803 & 63803 / 6804 / 6805 & 7805 & 6805W6 / 6806 & 7806 / 6900 & 7900 / 6901 & 7901 / 6902 & 7902 / 6903

OPTIONAL SPACER SET:**TO-PRESS3****Spacers for BLACKBEARING BB-TO-PRESS2 press set****EAN**

3760365232719

Features:

- High-end model in CNC-machined and anodised aluminium
- Versatile: can be used for wheels, frames, bottom brackets
- Each part is sold separately
- Adjustable and centred spacer for each bearing
- Compatible with the BLACKBEARING BB-TO-PRESS2 press set

COMPATIBLE BEARINGS

609 / 689 / 1530 / 1828 / 6704 / r8 / 699 / 398 / 1628 / 2030 / 6904 / gxp / 688 / 698 / 1728 / 3040 / r6

TO-PRESS4**Long spacers for BLACKBEARING BB-TO-PRESS2 press set****EAN**

3760365232726

Features:

- High-end model in CNC-machined and anodised aluminium
- Versatile: can be used for wheels, frames, bottom brackets
- Each part is sold separately
- Bearing assembly when axles pass through the bearing
- Compatible with the BLACKBEARING BB-TO-PRESS2 press set
- Assembly possible without a press (with a mallet)

COMPATIBLE BEARINGS

6800 / 3800 / 6801 / 7801 / 3801 / 6802 / 63802 / 3802 / 6803 / 63803 / 3804 / 6804 / 63804 / 6805 / 7805 / 3805 / 63805 / 6900 / 7900 / 6901 / 7901 / 6902 / 7902 / 6903 / 7903 / 6904 / 6000 / 6001 / 1526 / 1728 / 1830 / R6

BEARING REMOVAL:

TO-PULLER1

BLACKBEARING *inertia bearing puller*



EAN

3760290195547

Features:

- Versatile: can be used for wheels, frames, bottom brackets
- No contact with frames or wheels
- >>> the puller comes into contact with the inner ring of the bearing

COMPATIBLE BEARINGS

bore diameter from 8 to 30 mm

BEARING INSTALLATION AND REMOVAL:

TO-FRAME1

BLACKBEARING *frame bearing installation and removal kit*



EAN

3760290197930

Features:

- For use with MTB frame bearings
- Installation/removal

COMPATIBLE BEARINGS

698 / 6800 / 608 / 6900 / 6901 / 6802 / 6000 / 16001 / 6902 / 6903 / 16002 / 6804

FORK SEAL INSTALLATION TOOL:

REFERENCE CODE	FORK SEAL DRIVER DIAMETER mm	EAN
MTB32TO	32	3760290198289
MTB34TO	34	3760290198296
MTB35/36TO	35 / 36	3760290198302
MTB38TO	38	3760290198319
MTB40TO	40	3760290198326



Features:

- Impact tool
- Shape adapted to each fork seal diameter
- Made out of plastic

MEASUREMENT:**TO-TOOLHEADSET**BLACKBEARING **headset bearing angle finder**

EAN

3760290195554

Features:

- Easy measurement of steering angles
- For 36° and 45° angles
- Made out of stainless steel

**CALLIPER-MAN**BLACKBEARING **manual calliper**

EAN

3760290198333

Features:

- Measures up to 150 mm
- Internal jaw for measuring bores

**CALLIPER-DIGIT**BLACKBEARING **digital calliper**

EAN

3760290198340

Features:

- Measures up to 150 mm
- Inside jaw for measuring bores
- Digital readout

**CAP LIFTER:****TO-DECAP**BLACKBEARING **cap lifter**

EAN

3760365233464

Features:

- Made out of stainless steel
- Laser engraving



ACCESSORIES:



DESCRIPTION	REFERENCE CODE	EAN
Spacer 1526 - BLACKBEARING - TO-1526	TO-1526	3760365233204
Spacer 1530 - BLACKBEARING - TO-1530	TO-1530	3760365232986
Spacer 1628 - BLACKBEARING - TO-1628	TO-1628	3760365232979
Spacer 1728 - BLACKBEARING - TO-1728	TO-1728	3760365232962
Spacer 1828 - BLACKBEARING - TO-1828	TO-1828	3760365232955
Spacer 1830 - BLACKBEARING - TO-1830	TO-1830	3760365233181
Spacer 2030 - BLACKBEARING - TO-2030	TO-2030	3760365232948
Spacer 2437 - BLACKBEARING - TO-2437	TO-2437	3760365233198
Spacer 3040 - BLACKBEARING - TO-3040	TO-3040	3760365232931
Spacer 6000 - BLACKBEARING - TO-6000	TO-6000	3760365233174
Spacer 6001 - BLACKBEARING - TO-6001	TO-6001	3760365233167
Spacer 608 - BLACKBEARING - TO-608	TO-608	3760365233211
Spacer 609 - BLACKBEARING - TO-609	TO-609	3760365233013
Spacer 6704 - BLACKBEARING - TO-6704	TO-6704	3760365232924
Spacer 6800 - BLACKBEARING - TO-6800	TO-6800	3760365233150
Spacer 6801 - BLACKBEARING - TO-6801	TO-6801	3760365233143
Spacer 6802 - BLACKBEARING - TO-6802	TO-6802	3760365233136
Spacer 6803 - BLACKBEARING - TO-6803	TO-6803	3760365233129
Spacer 6804 - BLACKBEARING - TO-6804	TO-6804	3760365233112
Spacer 6805 - BLACKBEARING - TO-6805	TO-6805	3760365233105
Spacer 6806 - BLACKBEARING - TO-6806	TO-6806	3760365233099
Spacer 688 - BLACKBEARING - TO-688	TO-688	3760365233037
Spacer 689 - BLACKBEARING - TO-689	TO-689	3760365233020
Spacer 6900 - BLACKBEARING - TO-6900	TO-6900	3760365233082
Spacer 6901 - BLACKBEARING - TO-6901	TO-6901	3760365233075
Spacer 6902 - BLACKBEARING - TO-6902	TO-6902	3760365233068
Spacer 6903 - BLACKBEARING - TO-6903	TO-6903	3760365233051
Spacer 6904 - BLACKBEARING - TO-6904	TO-6904	3760365232917
Spacer 698 - BLACKBEARING - TO-698	TO-698	3760365233006
Spacer 699 - BLACKBEARING - TO-699	TO-699	3760365232993
Spacer R6 - BLACKBEARING - TO-R6	TO-R6	3760365232894

DESCRIPTION	REFERENCE CODE	EAN
Spacer R8 - BLACKBEARING - TO-R8	TO-R8	3760365233044
GXP spacer - BLACKBEARING - TO-GXP	TO-GXP	3760365232900
Long spacer 1526 - BLACKBEARING - TO-1526	TO-1526L	3760365232733
Long spacer 1728 - BLACKBEARING - TO-1728	TO-1728L	3760365233471
Long spacer 1830 - BLACKBEARING - TO-1830	TO-1830L	3760365233488
Long spacer 6000 - BLACKBEARING - TO-6000	TO-6000L	3760365233495
Long spacer 6001 - BLACKBEARING - TO-6001	TO-6001L	3760365233501
Long spacer 6800 - BLACKBEARING - TO-6800	TO-6800L	3760365233518
Long spacer 6801 - BLACKBEARING - TO-6801	TO-6801L	3760365233525
Long spacer 6802 - BLACKBEARING - TO-6802	TO-6802L	3760365233532
Long spacer 6803 - BLACKBEARING - TO-6803	TO-6803L	3760365233549
Long spacer 6804 - BLACKBEARING - TO-6804	TO-6804L	3760365233556
Long spacer 6805 - BLACKBEARING - TO-6805	TO-6805L	3760365233563
Long spacer 6900 - BLACKBEARING - TO-6900	TO-6900L	3760365233570
Long spacer 6901 - BLACKBEARING - TO-6901	TO-6901L	3760365233587
Long spacer 6902 - BLACKBEARING - TO-6902	TO-6902L	3760365233594
Long spacer 6903 - BLACKBEARING - TO-6903	TO-6903L	3760365233600
Long spacer 6904 - BLACKBEARING - TO-6904	TO-6904L	3760365233617
Long spacer R6 - BLACKBEARING - TO-R6	TO-R6L	3760365233624



BALLS

USE: reconditioning headset, wheel/hub and bottom bracket bearings



Features:

- Chrome steel
- Sold in bags

REFERENCE CODE	DIAMETER	PACKAGING	EAN
BA-1/4-635	1/4" = 6.35 mm	100 balls	3760290197015
BA-1/8-3175	1/8" = 3.17 mm	100 balls	3760290197022
BA-3/16-4762	3/16" = 4.762 mm	100 balls	3760290197039
BA-3/32-2381	3/32" = 2.381 mm	100 balls	3760290197046
BA-5	5 mm	100 balls	3760290197053
BA-5/32-3969	5/32" = 3.969 mm	100 balls	3760290197060
BA-55	5.5 mm	100 balls	3760290197077
BA-58	5.8 mm	100 balls	3760290197084
BA-65	6.5 mm	100 balls	3760290197091
BA-7	7 mm	100 balls	3760290197107
BA-7/32-5556	7/32" = 5.556 mm	100 balls	3760290197114



BALL RETAINER



USE: reconditioning headset, wheel/hub and bottom bracket bearings

Features:

- Chrome steel
- Sold individually or in packs of 10

REFERENCE CODE	DIMENSIONS (bore dia. x outside dia. x thickness)	BALL DIAMETER	NO. OF BALLS	PACKAGING	EAN
BR-1/4-7	14 x 24.6 x 6.8 mm	1/4" = 6.35 mm	7	1	3760365232238
BR-1/4-7-PACK10	14 x 24.6 x 6.8 mm	1/4" = 6.35 mm	7	10	3760365232313
BR-1/4-9	17 x 28.2 x 6 mm	1/4" = 6.35 mm	9	1	3760365232245
BR-1/4-9-PACK10	17 x 28.2 x 6 mm	1/4" = 6.35 mm	9	10	3760365232320
BR-3/16-15	30.5 x 38.8 x 5 mm	3/16" = 4.762 mm	15	1	3760365232269
BR-3/16-15-PACK10	30.5 x 38.8 x 5 mm	3/16" = 4.762 mm	15	10	3760365232337
BR-3/16-7	11.5 x 20.5 x 5 mm	3/16" = 4.762 mm	7	1	3760365232252
BR-3/16-7-PACK10	11.5 x 20.5 x 5 mm	3/16" = 4.762 mm	7	10	3760365232344
BR-5/32-16	29.5 x 37 x 3.97 mm	5/32" = 3.969 mm	16	1	3760365232276
BR-5/32-16-PACK10	29.5 x 37 x 3.97 mm	5/32" = 3.969 mm	16	10	3760365232351
BR-5/32-20	32 x 39.5 x 3.97 mm	5/32" = 3.969 mm	20	1	3760365232283
BR-5/32-20-PACK10	32 x 39.5 x 3.97 mm	5/32" = 3.969 mm	20	10	3760365232368
BR-5/32-22	33 x 39.5 x 3.97 mm	5/32" = 3.969 mm	22	1	3760365232290
BR-5/32-22-PACK10	33 x 39.5 x 3.97 mm	5/32" = 3.969 mm	22	10	3760365232375
BR-5/32-27	42.5 x 50.5 x 4.1 mm	5/32" = 3.969 mm	27	1	3760365232306
BR-5/32-27-PACK10	42.5 x 50.5 x 4.1 mm	5/32" = 3.969 mm	27	10	3760365232382



FASTENERS

Shape of screws and nuts:



CHC



TBHC



FHC



Ecrou



Ecrou frein

Zinc-plated steel fasteners

Features:

- Economical
- Zinc coating for corrosion protection

REFERENCE CODE	THREAD DIAMETER	SCREW LENGTH (WITHOUT HEAD)	SCREW HEAD SHAPE	PACKAGING	EAN
BX-SCREW	Box of M3 / M4 / M5 / M6 screws and nuts			540	3760290196957
SC-CHCM4X10-X25	M4	10	CHC	25	3760290196124
SC-CHCM4X12-X25	M4	12	CHC	25	3760290196131
SC-CHCM4X16-X25	M4	16	CHC	25	3760290196148
SC-CHCM4X20-X15	M4	20	CHC	15	3760290196155
SC-CHCM5X12-X25	M5	12	CHC	25	3760290196179
SC-CHCM5X16-X25	M5	16	CHC	25	3760290196186
SC-CHCM5X20-X25	M5	20	CHC	25	3760290196209
SC-CHCM5X25-X25	M5	25	CHC	25	3760290196223
SC-CHCM5X8-X25	M5	8	CHC	25	3760290196254
SC-CHCM6X12-X25	M6	12	CHC	25	3760290196278
SC-CHCM6X16-X25	M6	16	CHC	25	3760290196285
SC-CHCM6X20-X25	M6	20	CHC	25	3760290196292
SC-CHCM6X25-X15	M6	25	CHC	25	3760290196308
SC-NUTM4-X25	M4		Nut	25	3760290195752
SC-NUTM5-X25	M5		Nut	25	3760290195776
SC-NUTM6-X25	M6		Nut	25	3760290195790
SC-NUTNYLM4-X25	M4		Lock nut	25	3760290195769
SC-NUTNYLM5-X25	M5		Lock nut	25	3760290195783
SC-NUTNYLM6-X25	M6		Lock nut	25	3760290195806
SC-TBHCM5X10-X20	M5	10	TBHC	20	3760290196162
SC-TBHCM5X16-X20	M5	16	TBHC	20	3760290196193
SC-TBHCM5X20-X25	M5	20	TBHC	25	3760290196216
SC-TBHCM5X25-X25	M5	25	TBHC	25	3760290196247
SC-TBHCM5X8-X25	M5	8	TBHC	25	3760290196261

Stainless steel fasteners

Features:

- High corrosion protection
- Longer service life



BX-SCREW
BX-SCREW-SS

REFERENCE CODE	THREAD DIAMETER	SCREW LENGTH (WITHOUT HEAD)	SCREW HEAD SHAPE	PACKAGING	EAN
BX-SCREW-SS	Box of M3 / M4 / M5 / M6 screws and nuts			540 pieces	3760290196964
SC-CHCM4X10SS-X25	M4	10	CHC	25	3760290195813
SC-CHCM4X12SS-X25	M4	12	CHC	25	3760290195820
SC-CHCM4X16SS-X25	M4	16	CHC	25	3760290196230
SC-CHCM4X20SS-X15	M4	20	CHC	15	3760290195974
SC-CHCM5X12SS-X25	M5	12	CHC	25	3760290195998
SC-CHCM5X16SS-X25	M5	16	CHC	25	3760290196001
SC-CHCM5X20SS-X25	M5	20	CHC	25	3760290196025
SC-CHCM5X25SS-X25	M5	25	CHC	25	3760290196049
SC-CHCM5X8SS-X25	M5	8	CHC	25	3760290196063
SC-CHCM6X12SS-X25	M6	12	CHC	25	3760290196087
SC-CHCM6X16SS-X25	M6	16	CHC	25	3760290196094
SC-CHCM6X20SS-X25	M6	20	CHC	25	3760290196100
SC-CHCM6X25SS-X15	M6	25	CHC	15	3760290196117
SC-CHCM6X50SS-X10	M6	50	CHC	10	3760365230760
SC-FHCM3X12SS-X25	M3	12	FHC	25	3760365230777
SC-FHCM4X10SS-X25	M4	10	FHC	25	3760365230784
SC-FHCM4X12SS-X25	M4	12	FHC	25	3760365230791
SC-FHCM4X16SS-X25	M4	16	FHC	25	3760365230807
SC-FHCM4X8SS-X25	M4	8	FHC	25	3760365230814
SC-FHCM5X10SS-X25	M5	10	FHC	25	3760365230821
SC-FHCM5X8SS-X25	M5	8	FHC	25	3760365230838
SC-NUTM4SS-X25	M4		Nut	25	3760290195691
SC-NUTM5SS-X25	M5		Nut	25	3760290195714
SC-NUTM6SS-X25	M6		Nut	25	3760290195738
SC-NUTNYLM4SS-X25	M4		Lock nut	25	3760290195707
SC-NUTNYLM5SS-X25	M5		Lock nut	25	3760290195721
SC-NUTNYLM6SS-X25	M6		Lock nut	25	3760290195745
SC-TBHCM4X16SS-X20	M4	16	TBHC	20	3760365230845
SC-TBHCM5X10SS-X20	M5	10	TBHC	20	3760290195981
SC-TBHCM5X16SS-X20	M5	16	TBHC	20	3760290196018
SC-TBHCM5X20SS-X10	M5	20	TBHC	10	3760290196032
SC-TBHCM5X25SS-X10	M5	25	TBHC	10	3760290196056
SC-TBHCM5X8SS-X25	M5	8	TBHC	25	3760290196070
SC-TBHCM6X16SS-X20	M6	16	TBHC	10	3760365230852

GLOSSARY OF TECHNICAL TERMS



Nomenclature example: S 6001 2RS E

1 material	2 dimensions	3 sealing	4 option
S	6001	2RS	E

Corresponds to:

Stainless steel bearing, 12 x 28 x 8 mm, water and dust sealed, extended inner ring.

Dimensions (mm):

Bearing nomenclature	d Ø bore diameter	D Ø outside diameter	e thickness
6001	12	28	8

		Features	Examples	Remarks	
1	Prefixes and suffixes	W / S / SS	Stainless steel	S 6001 2RS	
		F / FD	Flange on outer ring	6001 2 RS FE	
		E	Extended inner ring	6001 2RS E	
		EE	Extended inner ring on both sides	6001 2RS EE	
		FE	Flange on outer ring + extended inner ring	6001 2RS FE	
		FEE	Flange on outer ring + extended inner ring on both sides	6001 2RS FEE	
		C3	bearing with increased internal clearance (C3)	6001 2RS C3	Better resistance to vibrations and high speeds*
2	Reference code first digit	6	1 row of balls	6001 2RS	The bearing number relates to the bearing dimensions
		3	2 rows of balls	3802 2RS	
		7	Angular contact	7902 2RS	
		R+1 number	1 row of balls, dimensions in inches	R6 2 RS	
		Other number	Non-standardised	20307	Dimensions 20 x 30 x 7
3	Sealing	2RS : LLU / LLB / DDU / VRS / EE / 2RSH / 2RS1	Water and dust seal	6001 2RS	Recommended for bicycle use
		2Z	Dust seal	6001 2Z	Not recommended for bicycle use
		/	Non-sealed	6001	

61800 = 6800 / European standard vs. Asian standard (same from 61800 to 61810 and from 61900 to 61905)

Special cases:

MR series	MR2437-2RS	Ball bearing dimensions d x D: 24 x 37 mm – water and dust sealed
GE series	GE8	Ball joint dimensions d x D x e: 8 x 16 x 8 mm
HK series	HK-1010	Needle roller bearing dimensions d x D x e: 10 x 14 x 10 mm

*Technology rarely used in bicycle bearings. BlackBearing uses it as standard on part of its product range.



226 rue Henri Laborit | Zone de la gare de Dirinon
29470 LOPERHET | FRANCE
contact@blackbearing.com

